

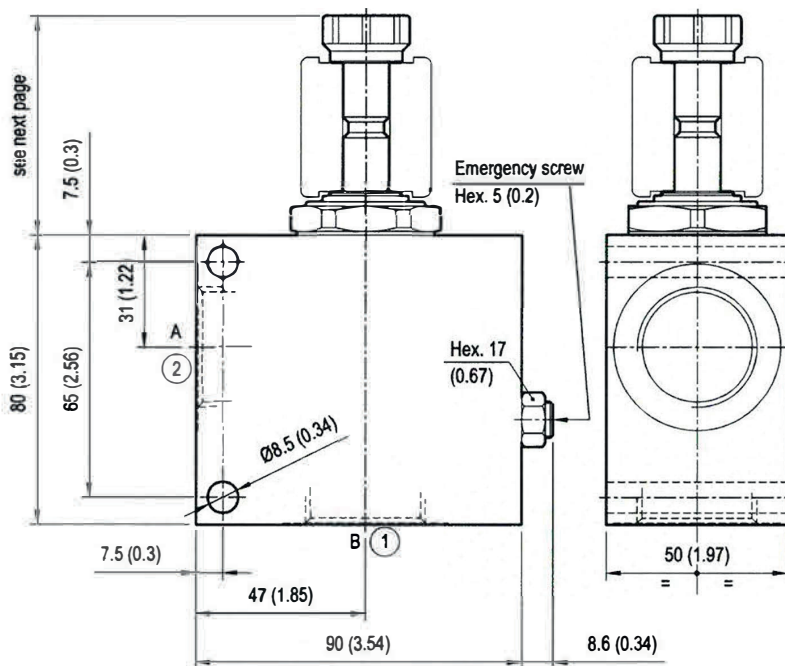
Sitzventil komplett (230468) Soupape à siège complet

VEI-CE-8A-12

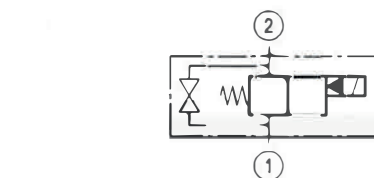
OE.15 - K - 21 - Y - Z - W

RE 18332-13/09.15

Dimensions



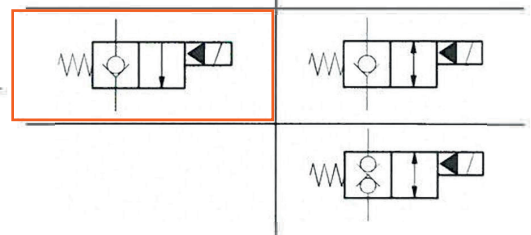
[mm (inches)]



Cartridge schemes

monodirectional type

bidirectional type



Technical data

Max flow:	up to 150 l/min	(40 gpm)
Max operating pressure for steel body:	350 bar	(5000 psi)
Max operating pressure for aluminium body:	210 bar	(3000 psi)

To order only manifold see data sheet RE 18325-85

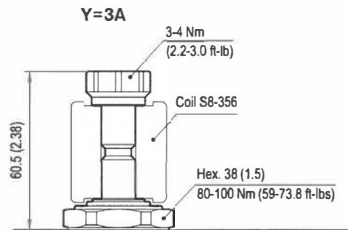
Sitzventil komplett (230468) Soupape à siège complet

VEI-CE-8A-12

OE.15 - K - 21 - Y - Z - W

RE 18332-13/09.15

Dimensions



[mm (inches)]

CARTRIDGE TECHNICAL DATA
Special cavity: 021-E
Filtration: 25 µm nominal or better
Minimum voltage required: 90% of nominal value
Coil : must be ordered separately see data sheet RE 18325-90
Mounting position: unrestricted
For other details see cartridge data sheet

CARTRIDGE CODE	OE15	- K -		21	- Y -	- Z -		- W -		CARTRIDGE SCHEME		
		monodir.	bidir.		Rated Flow	Ports size 1-2		Material		monodir.	bidir.	
					150 l/min (40 gpm)	G 1	Aluminium	Steel				
	OD15	01	05	21	3A	05	00	S0				
	OD15		31	21	3A	05	00	S0				

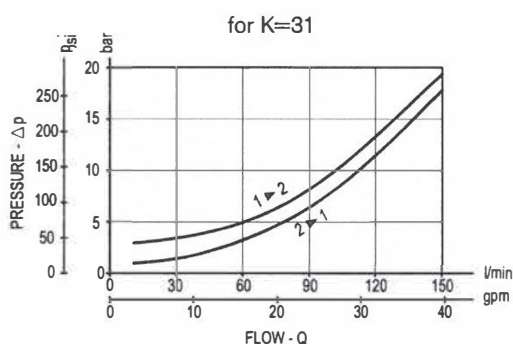
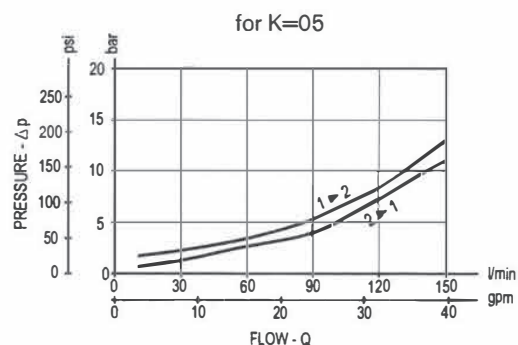
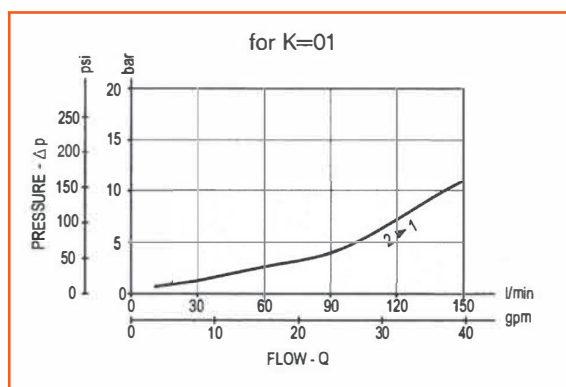
Sitzventil komplett (230468) Soupape à siège complet

VEI-CE-8A-12

OE.15 - K - 21 - Y - Z - W

RE 18332-13/09.15

Performance graphs



Sitzventil komplett (230468) Soupape à siège complet

VEI-CE-8A-12

OE.15 - K - 21 - Y - Z - W

RE 18332-13/09.15

olenoid operated valve,
way 2-positions, normally closed
emergency manifold

artridge scheme (see page 1 and 2)

01	Monodirectional
05	
31	Bidirectional

pecial cavity **021-E**

Manifold material

=00	Aluminium
=S0	Steel

Port sizes (see table on page 2)

=04 **G 3/4**

See table on page 2

ffered types (readily available)

e	Material number	Type	Material number
1501213A0500	R934001575		
1505213A0500	R934001603		
1531213A0500	R934001647		

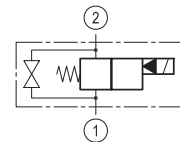
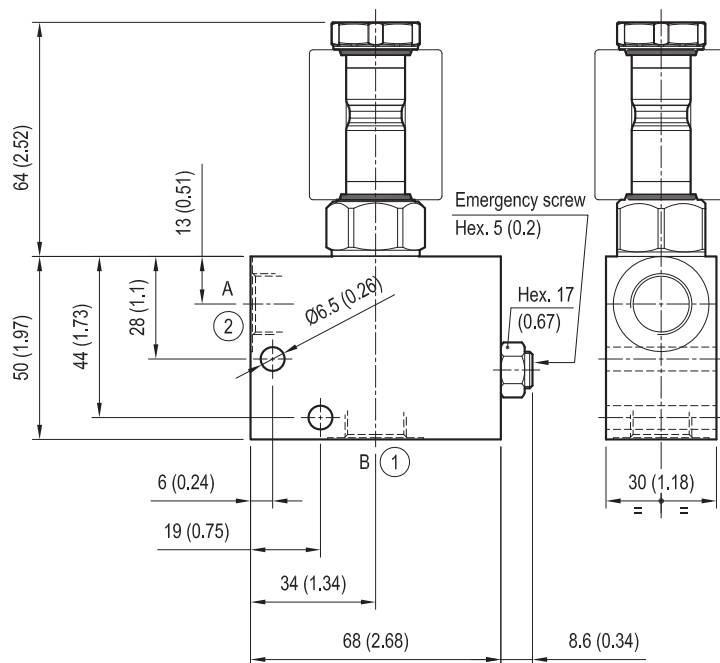
er types available by request

Sitzventil komplett (231013) Soupape à siège complet

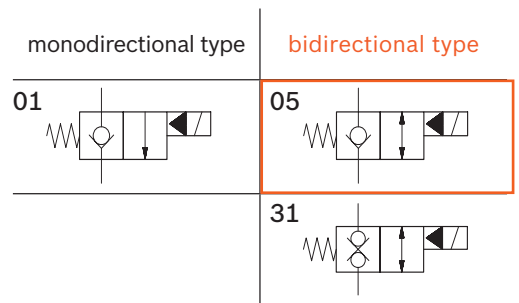
VEI-CE-16-08A-NC

OE.15 - K - 18 - X - Y - Z - W

RE 18332-07



Cartridge schemes (K)

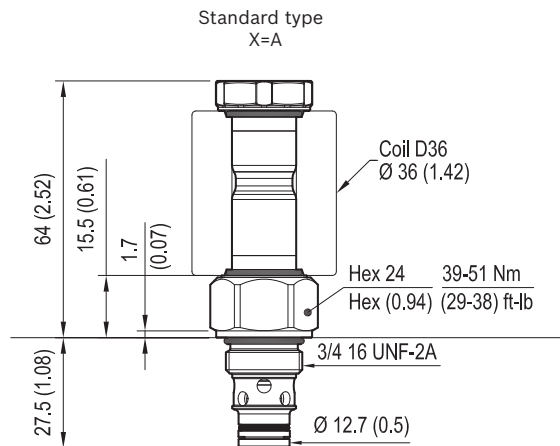


[mm (inches)]

Technical data

Max. flow	40 l/min (11 gpm)
Max. operating pressure for steel body	350 bar (5000 psi)
Max operating pressure for aluminium body	210 bar (3000 psi)
Ambient temperature range	-30 to 90 °C (-22 to 194 °F)
Fluids: Mineral-based or synthetics with lubricating properties at viscosities of 20 to 380 mm ² /s (cSt)	
MTTFd	150 years see RE 18350-51
To order manifold only, see data sheet RE 18325-85	
Other technical data	See data sheet 18350-50

Sitzventil komplett (231013) Soupape à siège complet



Cartridge technical data

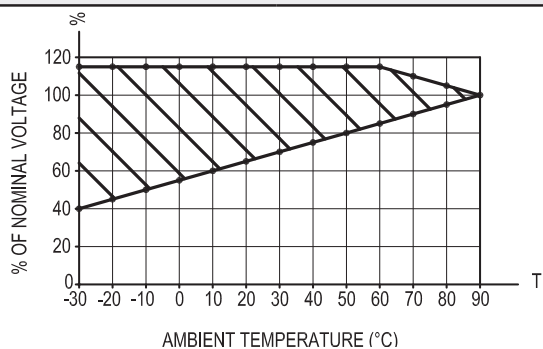
General	
Installation orientation	Unrestricted
Ambient temperature range	-30 to 90 °C (-22 to 194 °F)
Hydraulic	
Max. operating pressure	350 bar (5000 psi)
Flow range	0.5 - 40 l/min (0.1 - 11 gpm)
Max. internal leakage	5 drops/min.
Switching time	Opening ≤ 50 ms Closing ≤ 100 ms
Fluid temperature range	-20 to 80 °C (-4 to 176 °F)
Fluids: Mineral-based or synthetics with lubricating properties at viscosities of 20 to 380 mm ² /s (cSt)	
Installation torque	39 - 51 Nm (29 - 38 ft-lbs)
Recommended degree of fluid contamination	Nominal value max. 10 µm (NAS 8) ISO 4406 19/17/14
MTTFd	150 years see RE 18350-51
Cavity	CA-08A-2N see data sheet 18325-70
Other technical data	See data sheet 18350-50

Electrical	
Type of voltage	DC voltage
Coil type	D36
Supply voltage	See data sheet 18325-90
Voltage tolerance against ambient temperature	See characteristic curve
Power consumption	20 W
Type of protection	See data sheet 18325-90
Note: Coils must be ordered separately	

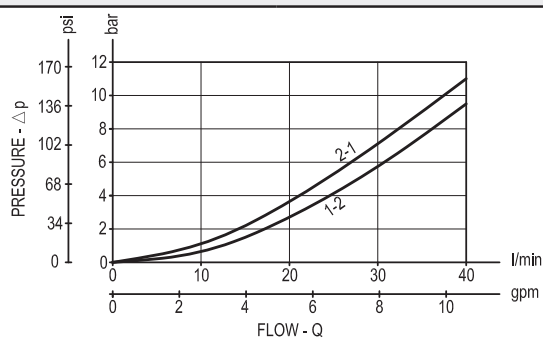
Sitzventil komplett (231013) Soupape à siège complet

Characteristic curves

All Versions - Admissible supply voltage Vs. Ambient temperature at 100% duty cycle



All Versions

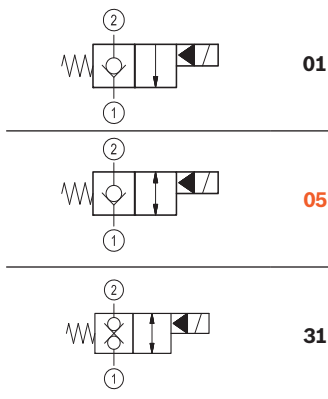


Sitzventil komplett (231013) Soupape à siège complet

Ordering code

OE.15	K	18	X	Y	Z	W
-------	---	----	---	---	---	---

Solenoid operated valves
2-way 2-positions normally closed
Common cavity size 08
Cartridge style
in emergency manifold



Manifold material

00 Aluminium

S0 Steel

Manifold port sizes

09 G 1/4

02 G 3/8

Cartridge seals and accessories options

0 = With buna seal

V = With Viton seal

Cartridge options

A = Standard

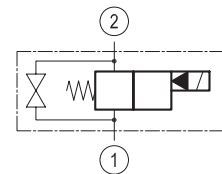
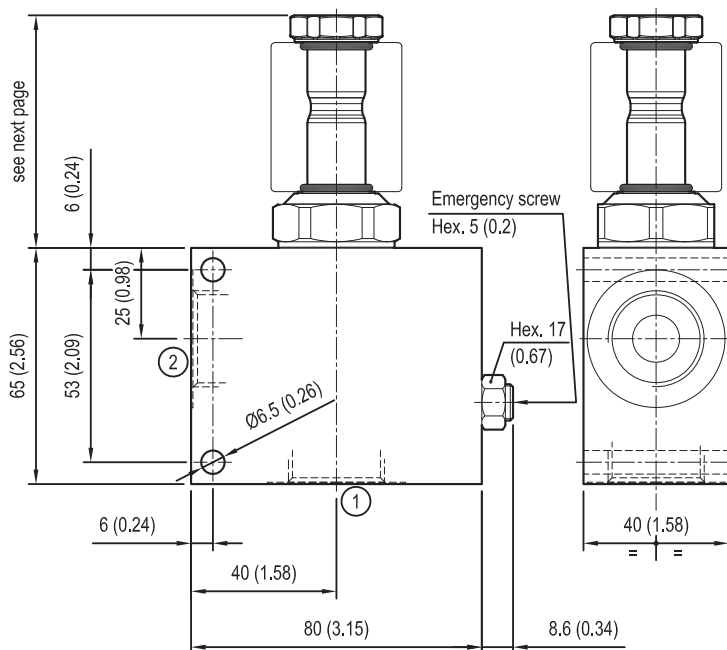
Common cavity size 08

Sitzventil komplett (231014) Soupape à siège complet

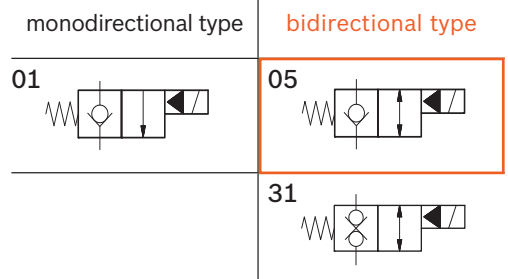
VEI-CE-16-017-NC

OE.15 - K - 17 - X - Y - Z - W

RE 18332-15



Cartridge schemes (K)

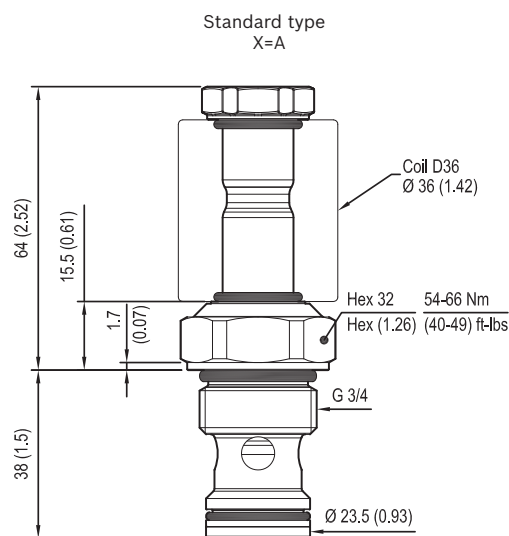


[mm (inches)]

Technical data

Max. flow	up to 70 l/min (19 gpm)
Max. operating pressure for steel body	350 bar (5000 psi)
Max operating pressure for aluminium body	210 bar (3000 psi)
Ambient temperature range	-30 to 90 °C (-22 to 194 °F)
Fluids: Mineral-based or synthetics with lubricating properties at viscosities of 20 to 380 mm ² /s (cSt)	
MTTFd	150 years see RE 18350-51
To order manifold only, see data sheet RE 18325-85	
Other technical data	See data sheet 18350-50

Sitzventil komplett (231014) Soupape à siège complet



Cartridge technical data

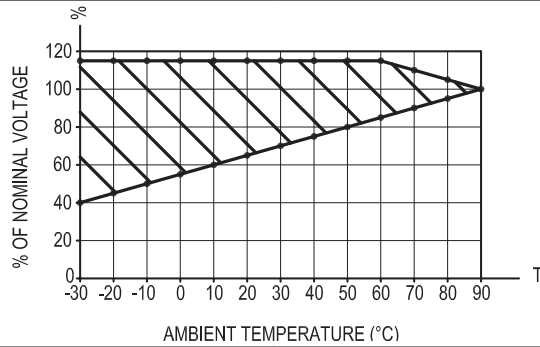
General	
Installation orientation	Unrestricted
Ambient temperature range	-30 to 90 °C (-22 to 194 °F)
Hydraulic	
Max. operating pressure	350 bar (5000 psi)
Flow range	2 - 70 l/min (0.53 - 18 gpm)
Max. internal leakage	20 drops/min.
Switching time	Opening ≤ 50 ms Closing ≤ 100 ms
Fluid temperature range	-20 to 80 °C (-4 to 176 °F)
Fluids: Mineral-based or synthetics with lubricating properties at viscosities of 20 to 380 mm ² /s (cSt)	
Installation torque	54 -66 Nm (40 - 49 ft-lbs)
Recommended degree of fluid contamination	Nominal value max. 10 µm (NAS 8) ISO 4406 19/17/14
MTTFd	150 years see RE 18350-51
Special cavity	017-E see data sheet 18325-75
Other technical data	See data sheet 18350-50

Electrical	
Type of voltage	DC voltage
Coil type	D36
Supply voltage	See data sheet 18325-90
Voltage tolerance against ambient temperature	See characteristic curve
Power consumption	20 W
Type of protection	See data sheet 18325-90
Note: Coils must be ordered separately	

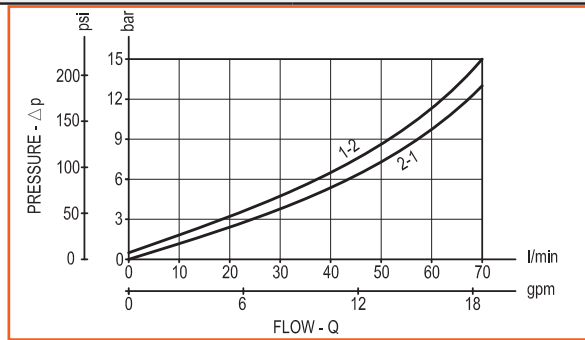
Sitzventil komplett (231014) Soupape à siège complet

Characteristic curves

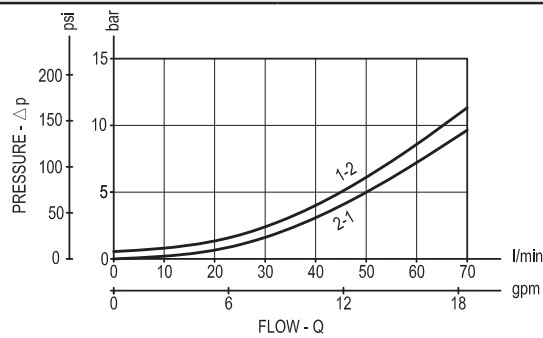
All Versions - Admissible supply voltage Vs. Ambient temperature at 100% duty cycle



Version 01,05

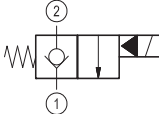
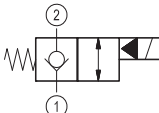
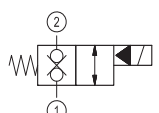


Version 31



Sitzventil komplett (231014) Soupape à siège complet

Ordering code

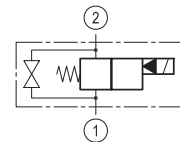
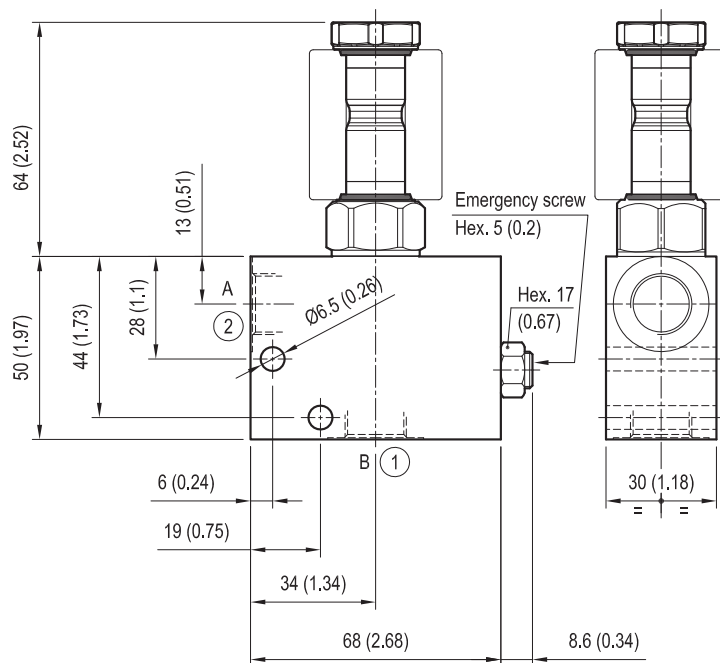
	OE.15	K	17	X	Y	Z	W
<p>Solenoid operated valves 2-way 2-positions normally closed Special cavity Cartridge style in emergency manifold</p>							
							01
							05
							31
							<p>Manifold material</p> <p>OO Aluminium</p> <p>SO</p>
							<p>Manifold port sizes</p> <p>03 G 1/2</p> <p>04 G 3/4</p>
							<p>Cartridge seals and accessories options</p> <p>O = With buna seal V = With Viton seal</p>
							<p>Cartridge options A</p> <p>= Standard</p>
							Special cavity 017-E

Sitzventil komplett (231015) Soupape à siège complet

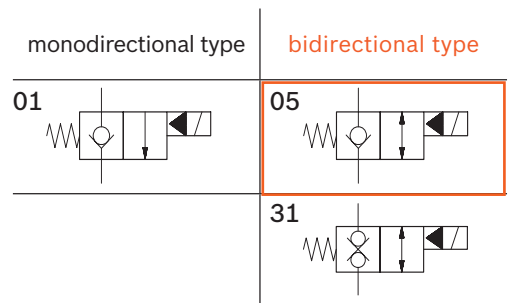
VEI-CE-16-08A-NC

OE.15 - K - 18 - X - Y - Z - W

RE 18332-07



Cartridge schemes (K)

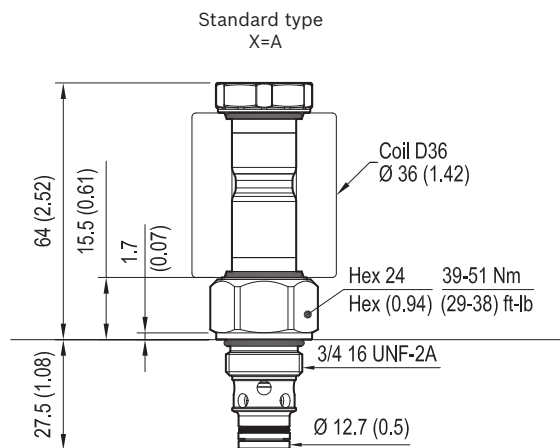


[mm (inches)]

Technical data

Max. flow	40 l/min (11 gpm)
Max. operating pressure for steel body	350 bar (5000 psi)
Max operating pressure for aluminium body	210 bar (3000 psi)
Ambient temperature range	-30 to 90 °C (-22 to 194 °F)
Fluids: Mineral-based or synthetics with lubricating properties at viscosities of 20 to 380 mm ² /s (cSt)	
MTTFd	150 years see RE 18350-51
To order manifold only, see data sheet RE 18325-85	
Other technical data	See data sheet 18350-50

Sitzventil komplett (231015) Soupape à siège complet



Cartridge technical data

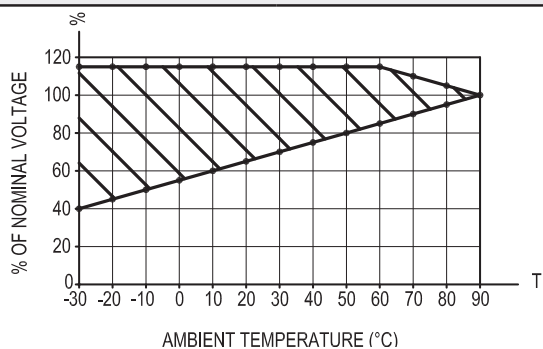
General	
Installation orientation	Unrestricted
Ambient temperature range	-30 to 90 °C (-22 to 194 °F)
Hydraulic	
Max. operating pressure	350 bar (5000 psi)
Flow range	0.5 - 40 l/min (0.1 - 11 gpm)
Max. internal leakage	5 drops/min.
Switching time	Opening ≤ 50 ms
	Closing ≤ 100 ms
Fluid temperature range	-20 to 80 °C (-4 to 176 °F)
Fluids: Mineral-based or synthetics with lubricating properties at viscosities of 20 to 380 mm ² /s (cSt)	
Installation torque	39 - 51 Nm (29 - 38 ft-lbs)
Recommended degree of fluid contamination	Nominal value max. 10 µm (NAS 8) ISO 4406 19/17/14
MTTFd	150 years see RE 18350-51
Cavity	CA-08A-2N
	see data sheet 18325-70
Other technical data	See data sheet 18350-50

Electrical	
Type of voltage	DC voltage
Coil type	D36
Supply voltage	See data sheet 18325-90
Voltage tolerance against ambient temperature	See characteristic curve
Power consumption	20 W
Type of protection	See data sheet 18325-90
Note: Coils must be ordered separately	

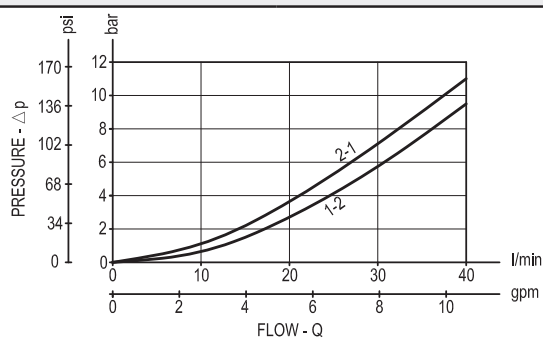
Sitzventil komplett (231015) Soupape à siège complet

Characteristic curves

All Versions - Admissible supply voltage Vs. Ambient temperature at 100% duty cycle



All Versions

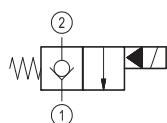


Sitzventil komplett (231015) Soupape à siège complet

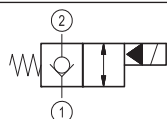
Ordering code

OE.15	K	18	X	Y	Z	W
-------	---	----	---	---	---	---

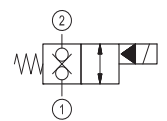
Solenoid operated valves
2-way 2-positions normally closed
Common cavity size 08
Cartridge style
in emergency manifold



01



05



31

Manifold material

00 Aluminium

S0 Steel

Manifold port sizes

09 G 1/4

02 G 3/8

Cartridge seals and accessories options

0 = With buna seal

V = With Viton seal

Cartridge options

A = Standard

Common cavity size 08

Sitzventil komplett (230473) Soupape à siège complet

EDI 1.15.80

OE.15 - K - Y

VEI-C-06-1

Vorgesteuertes 2/2-Wegeventil im Aluminiumgehäuse mit Notablaß, Einbaubohrung 018-E		Technische Daten:	
		Max. Arbeitsdruck [bar]	250
		Max. zul. Volumenstrom [l/min]	40
		Funktionsweise und Kurven des Cartridgeventils	siehe Datenblätter
		Stahlgehäuse mit Notablaß bis max. 350 bar	s. EDI 6.01.04
		Gewicht [kg]	0,370
K	Schema	Funktionen mit Magnetspule	
		Aus	Ein
13		A ○ B B ▷ A	A ▷ B B ▷ A
14		A ▷ B B ▷ A	A ○ B B ▷ A
31		A ○ B B ○ A	A ▷ B B ▷ A
32		A ▷ B B ▷ A	A ○ B B ○ A
Achtung: Eingerahmte Funktion Minimaler Öffnungsdruck 18 bar			
Y	Anschlüsse A, B		
02	3/8"		
09	1/4"		

Sitzventil komplett (230475) Soupape à siège complet

EDI 1.51.81

OE.15 - K - Y

VEI-C-09

Vorgesteuertes 2/2-Wegesitzventil im Aluminiumgehäuse mit Notablaß, Einbaubohrung 017-E

Technische Daten:	
Max. Arbeitsdruck [bar]	250
Max. zul. Volumenstrom [l/min]	70
Funktionsweise und Kurven des Cartridgeventils	siehe Datenblätter
Stahlgehäuse mit Notablaß bis max. 350 bar	s. EDI 6.01.04
Gewicht [kg]	0,680

11/95

K	Schema	Funktionen mit Magnetspule	
		Aus	Ein
13		A ↻ B B ↻ A	A ➤ B B ➤ A
14		A ➤ B B ➤ A	A ↻ B B ↻ A
17		A ↻ B B ↻ A	A ➤ B B ➤ A
18		A ➤ B B ➤ A	A ↻ B B ↻ A
31		A ↻ B B ↻ A	A ➤ B B ➤ A
32		A ➤ B B ➤ A	A ↻ B B ↻ A

Y	Anschlüsse A, B
04	1/2"

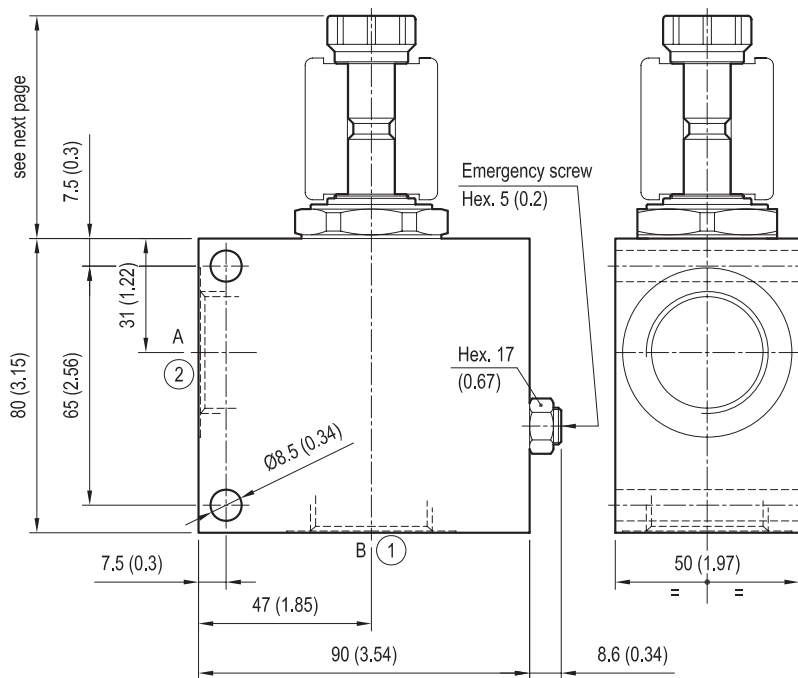
Sitzventil komplett (230480) Soupape à siège complet

VEI-CE-8A-12

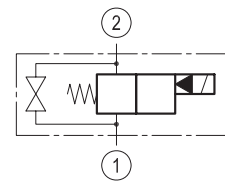
OE.15 - K - 21 - Y - Z - W

RE 18332-13/09/15

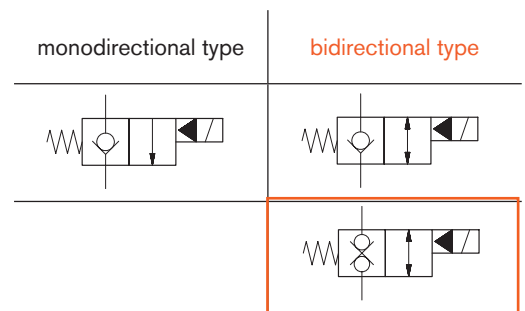
Dimensions



[mm (inches)]



Cartridge schemes



Technical data

Max flow:	up to 150 l/min	(40 gpm)
Max operating pressure for steel body:	350 bar	(5000 psi)
Max operating pressure for aluminium body:	210 bar	(3000 psi)

To order only manifold see data sheet RE 18325-85

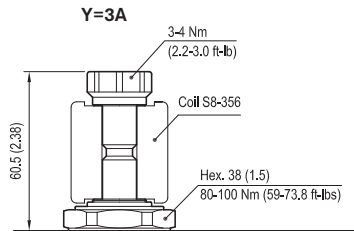
Sitzventil komplett (230480) Soupape à siège complet

VEI-CE-8A-12

OE.15 - K - 21 - Y - Z - W

RE 18332-13/09/15

Dimensions



[mm (inches)]

CARTRIDGE TECHNICAL DATA
Special cavity: 021-E
Filtration: 25 µm nominal or better
Minimum voltage required: 90% of nominal value
Coil : must be ordered separately see data sheet RE 18325-90
Mounting position: unrestricted
For other details see cartridge data sheet

CARTRIDGE CODE	OE15	- K -		21	- Y - Rated Flow 150 l/min (40 gpm)	- Z - Ports size 1-2 G 1	- W - Material		CARTRIDGE SCHEME		
		monodir.	bidir.				Aluminium	Steel	monodir.	bidir.	
		01	05				3A	05	00	S0	
	OD15										
	OD15		31		3A		05	00	S0		

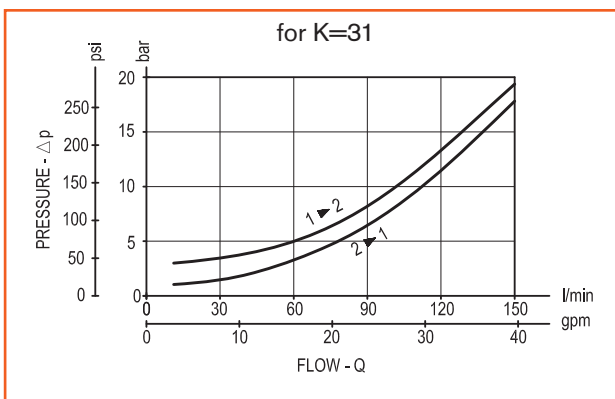
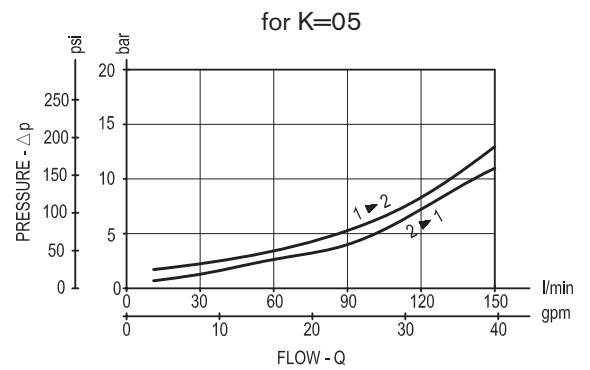
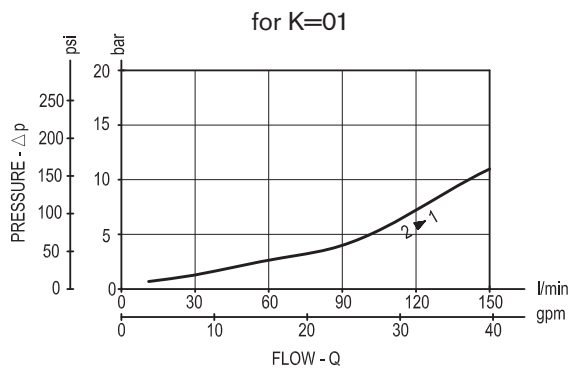
Sitzventil komplett (230480) Soupape à siège complet

VEI-CE-8A-12

OE.15 - K - 21 - Y - Z - W

RE 18332-13/09/15

Performance graphs



Sitzventil komplett (230480) Soupape à siège complet

VEI-CE-8A-12

OE.15 - K - 21 - Y - Z - W

RE 18332-13/09/15

Ordering code

OE.15	K	21	Y	Z	W
Solenoid operated valve, 2-way 2-positions, normally closed in emergency manifold					
Cartridge scheme (see page 1 and 2)					
= 01 Monodirectional					
= 05 Bidirectional					
= 31					
Special cavity 021-E					
				Manifold material	
				= 00 Aluminium	
				= S0 Steel	
				Port sizes (see table on page 2)	
				= 04 G 3/4	
				See table on page 2	

Preferred types (readily available)

Type	Material number	Type	Material number
OE1501213A0500	R934001575		
OE1505213A0500	R934001603		
OE1531213A0500	R934001647		

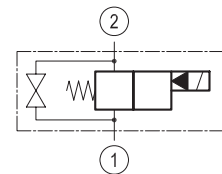
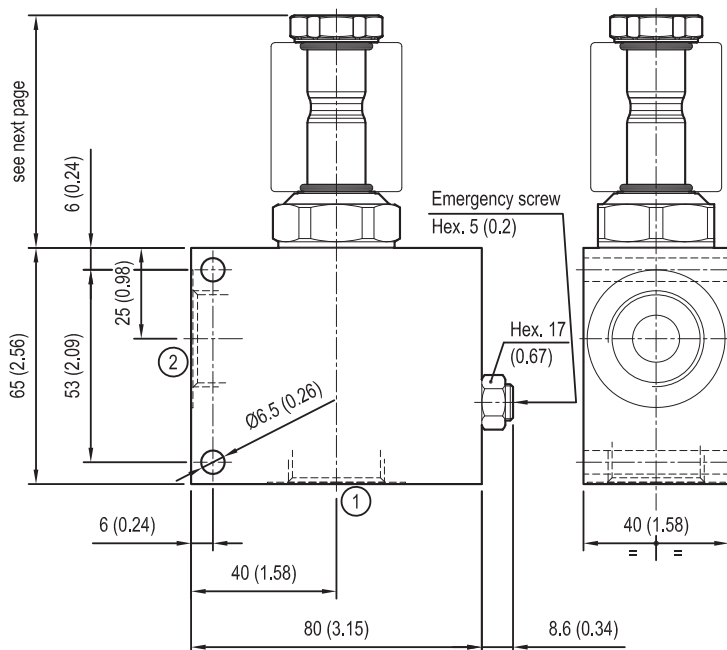
Further types available by request

Sitzventil komplett (231011) Soupape à siège complet

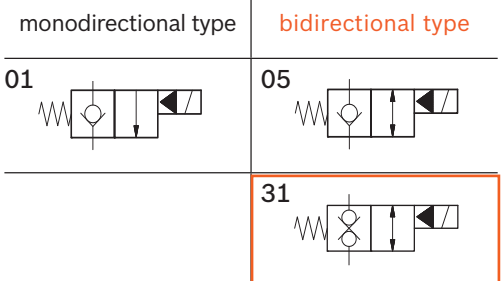
VEI-CE-16-08A-NC

OE.15 - K - 18 - X - Y - Z - W

RE 18332-07



Cartridge schemes (K)

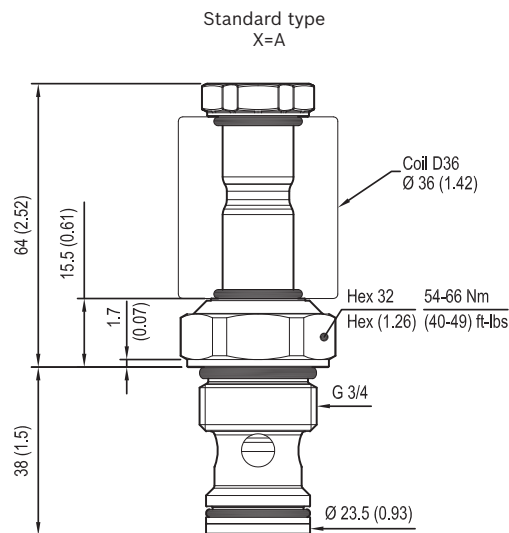


[mm (inches)]

Technical data

Max. flow	up to 70 l/min (19 gpm)
Max. operating pressure for steel body	350 bar (5000 psi)
Max operating pressure for aluminium body	210 bar (3000 psi)
Ambient temperature range	-30 to 90 °C (-22 to 194 °F)
Fluids: Mineral-based or synthetics with lubricating properties at viscosities of 20 to 380 mm ² /s (cSt)	
MTTFd	150 years see RE 18350-51
To order manifold only, see data sheet RE 18325-85	
Other technical data	See data sheet 18350-50

Sitzventil komplett (231011) Soupape à siège complet



Cartridge technical data

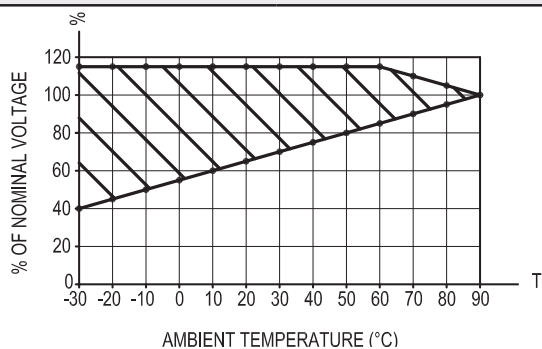
General	
Installation orientation	Unrestricted
Ambient temperature range	-30 to 90 °C (-22 to 194 °F)
Hydraulic	
Max. operating pressure	350 bar (5000 psi)
Flow range	2 - 70 l/min (0.53 - 18 gpm)
Max. internal leakage	20 drops/min.
Switching time	Opening ≤ 50 ms Closing ≤ 100 ms
Fluid temperature range	-20 to 80 °C (-4 to 176 °F)
Fluids: Mineral-based or synthetics with lubricating properties at viscosities of 20 to 380 mm ² /s (cSt)	
Installation torque	54 -66 Nm (40 - 49 ft-lbs)
Recommended degree of fluid contamination	Nominal value max. 10 µm (NAS 8) ISO 4406 19/17/14
MTTFd	150 years see RE 18350-51
Special cavity	017-E see data sheet 18325-75
Other technical data	See data sheet 18350-50

Electrical	
Type of voltage	DC voltage
Coil type	D36
Supply voltage	See data sheet 18325-90
Voltage tolerance against ambient temperature	See characteristic curve
Power consumption	20 W
Type of protection	See data sheet 18325-90
Note: Coils must be ordered separately	

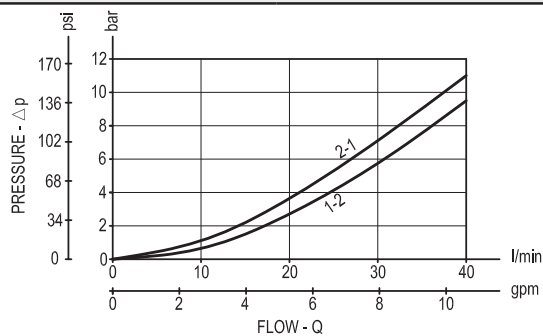
Sitzventil komplett (231011) Soupape à siège complet

Characteristic curves

All Versions - Admissible supply voltage Vs. Ambient temperature at 100% duty cycle

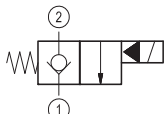
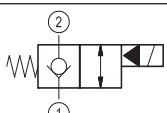
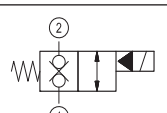


All Versions



Sitzventil komplett (231011) Soupape à siège complet

Ordering code

	OE.15	K	18	X	Y	Z	W								
<p>Solenoid operated valves 2-way 2-positions normally closed Common cavity size 08 Cartridge style in emergency manifold</p>															
	01														
	05														
	31														
							<p>Manifold material</p> <table border="1" style="width: 100%; border-collapse: collapse;"> <tr> <td style="width: 10%;">00</td> <td>Aluminium</td> </tr> <tr> <td>S0</td> <td>Steel</td> </tr> </table> <p>Manifold port sizes</p> <table border="1" style="width: 100%; border-collapse: collapse;"> <tr> <td style="width: 10%;">09</td> <td>G 1/4</td> </tr> <tr> <td>02</td> <td>G 3/8</td> </tr> </table> <p>Cartridge seals and accessories options</p> <p>0 = With buna seal V = With Viton seal</p> <p>Cartridge options</p> <p>A = Standard</p>	00	Aluminium	S0	Steel	09	G 1/4	02	G 3/8
00	Aluminium														
S0	Steel														
09	G 1/4														
02	G 3/8														
							<p>Common cavity size 08</p>								

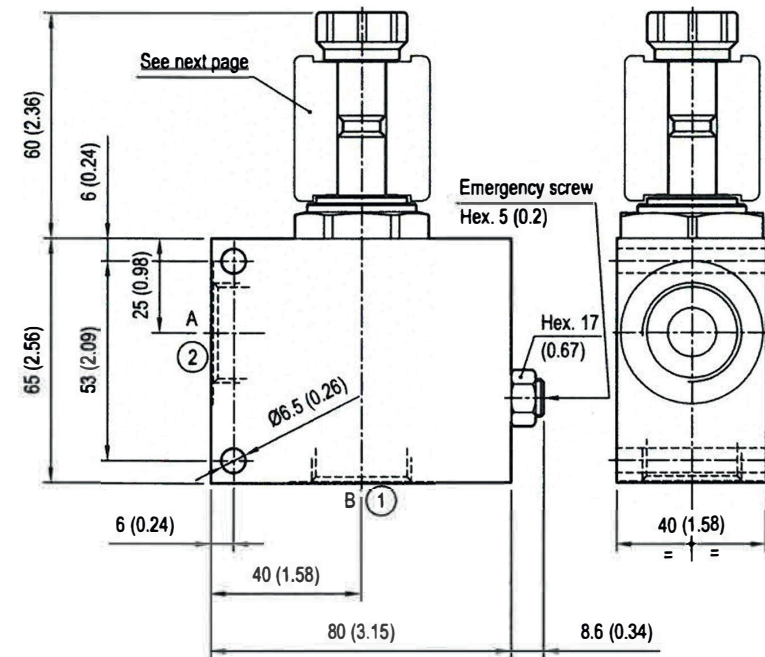
Sitzventil komplett (230483) Soupape à siège complet

VEI-CE-8A-09

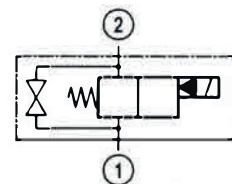
OE.15 - K - 17 - Y - Z - W

RE 18332-14/12/09

Dimensions



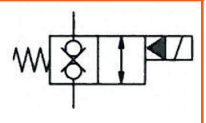
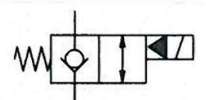
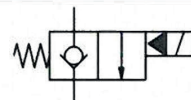
[mm (inches)]



Cartridge schemes

monodirectional type

bidirectional type



Technical data

Max flow:	up to 70 l/min	(19 gpm)
Max operating pressure for steel body:	350 bar	(5000 psi)
Max operating pressure for aluminium body:	210 bar	(3000 psi)

To order only manifold see data sheet RE 18325-85

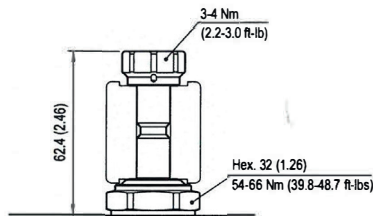
Sitzventil komplett (230483) Soupape à siège complet

VEI-CE-8A-09

OE.15 - K - 17 - Y - Z - W

RE 18332-14/12/09

Dimensions



[mm (inches)]

CARTRIDGE TECHNICAL DATA

Special cavity: 017-E
Filtration: 25 µm nominal or better
Minimum voltage required: 90% of nominal value
Coil: S8-356 must be ordered separately see data sheet RE 18325-90
Mounting position: unrestricted
For other details see cartridge data sheet

OE15	- K -		17	- Y - Rated Flow 70 l/min (19 gpm)	- Z - Ports size 1-2		- W - Material		CARTRIDGE SCHEME	
	monodir.	bidir.			G 1/2	G 3/4	Aluminium	Steel	monodir.	bidir.
OD15	01	05	17	3A	03	04	00	S0		
OD15		31	17	3A	03	04	00	S0		

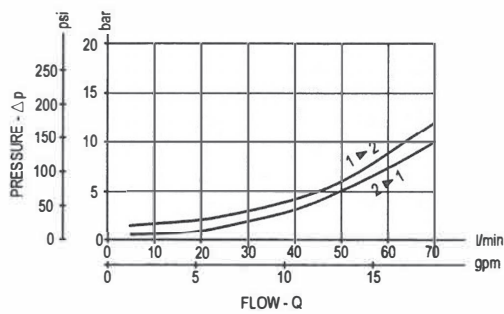
Sitzventil komplett (230483) Soupape à siège complet

VEI-CE-8A-09

OE.15 - K - 17 - Y - Z - W

RE 18332-14/12/09

Performance graph



Sitzventil komplett (230483) Soupape à siège complet

VEI-CE-8A-09

OE.15 - K - 17 - Y - Z - W

RE 18332-14/12/09

Ordering code

OE.15	K	17	Y	Z	W
Solenoid operated valve, 2-way 2-position, normally closed in emergency manifold					
Cartridge scheme (see page 1 and 2)		Manifold material			
= 01 Monodirectional		= 00 Aluminium			
= 05 Bidirectional		= S0 Steel			
= 31		Port sizes (see table on page 2)			
		= 03 G 1/2			
		= 04 G 3/4			
Special cavity 017-E		See table on page 2			

Preferred types (readily available)

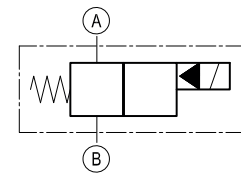
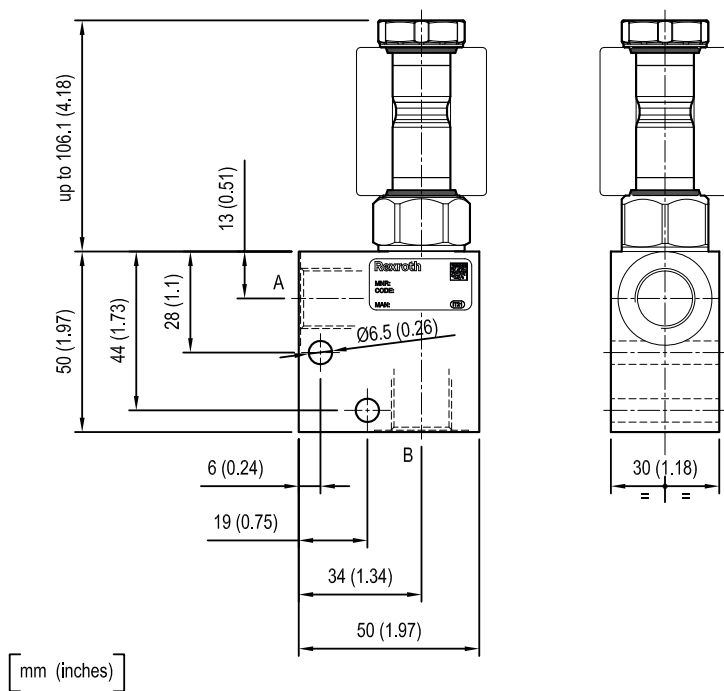
Type	Material number	Type	Material number
OE1501173A0300	R934001569		
OE1501173A0400	R934001570		
OE1505173A0300	R901204289		
OE1505173A0400	R934001585		
OE1531173A0300	R934001632		
OE1531173A0400	R934001635		

Further types available by request

Sitzventil komplett (231022) Soupape à siège complet

VEI-CS-16-08A OS.15 - K - 18 - X - Y - Z - W

RE 18331-65



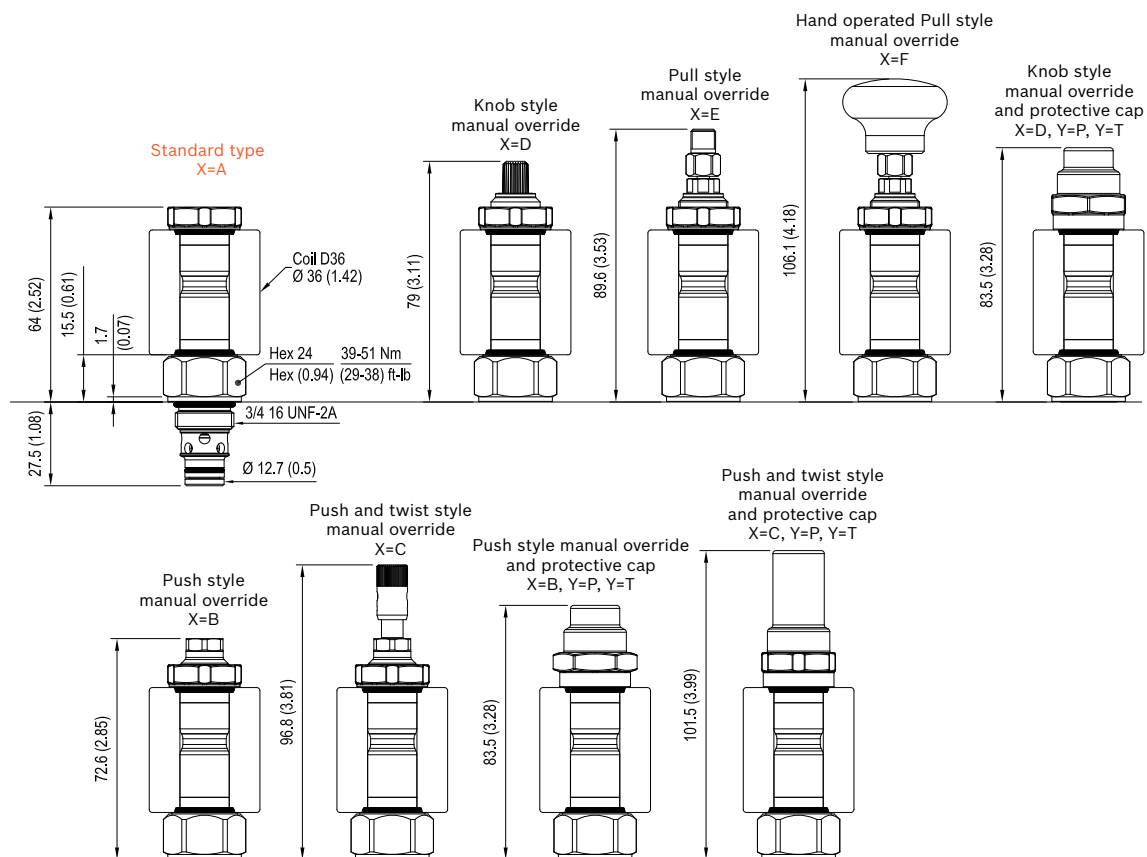
Cartridge schemes (K)

monodirectional type	bidirectional type
01	05
02	06
07	31
08	32

Technical data

Max. flow	40 l/min (11 gpm)
Max. operating pressure for steel body	350 bar (5000 psi)
Max operating pressure for aluminium body	210 bar (3000 psi)
Ambient temperature range	-30 to 90 °C (-22 to 194 °F)
Fluids: Mineral-based or synthetics with lubricating properties at viscosities of 20 to 380 mm ² /s (cSt)	
MTTFd	150 years see RE 18350-51
To order manifold only, see data sheet RE 18325-85	
Other technical data	See data sheet 18350-50

Sitzventil komplett (231022) Soupape à siège complet



Cartridge technical data

General	
Installation orientation	Unrestricted
Ambient temperature range	-30 to 90 °C (-22 to 194 °F)
Hydraulic	
Max. operating pressure	350 bar (5000 psi)
Flow range	0.5 - 40 l/min (0.1 - 11 gpm)
Max. internal leakage	5 drops/min.
Switching time	Opening ≤ 50 ms Closing ≤ 100 ms
Fluid temperature range	-20 to 80 °C (-4 to 176 °F)
Fluids: Mineral-based or synthetics with lubricating properties at viscosities of 20 to 380 mm ² /s (cSt)	
Installation torque	39 - 51 Nm (29 - 38 ft-lbs)
Recommended degree of fluid contamination	Nominal value max. 10 µm (NAS 8) ISO 4406 19/17/14
MTTFd	150 years see RE 18350-51
Cavity	CA-08A-2N see data sheet 18325-70
Other technical data	See data sheet 18350-50

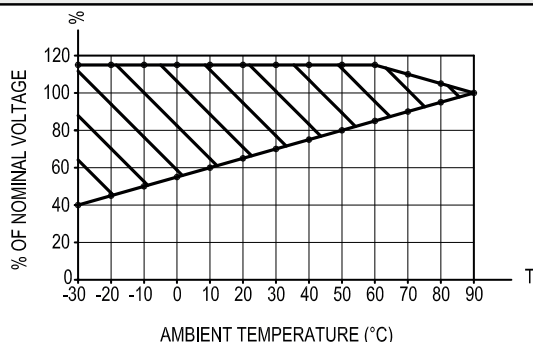
Electrical	
Type of voltage	DC voltage
Coil type	D36
Supply voltage	See data sheet 18325-90
Voltage tolerance against ambient temperature	See characteristic curve
Power consumption	20 W
Type of protection	See data sheet 18325-90
Note: Coils must be ordered separately	

TAB. 1		Manual override options (X)					
		A	B	C	D	E	F
Seal and prot. cap. (Y)	O	K=all versions	K=02; K=06 K=08; K=32	K=02; K=06 K=08; K=32	K=01; K=05 K=07; K=31	K=01; K=05 K=07; K=31	K=01; K=05 K=07; K=31
	V	K=all versions	K=02; K=06 K=08; K=32	K=02; K=06 K=08; K=32	K=01; K=05 K=07; K=31	K=01; K=05 K=07; K=31	K=01; K=05 K=07; K=31
	P	/	K=02; K=06 K=08; K=32	K=02; K=06 K=08; K=32	K=01; K=05 K=07; K=31	/	/
	T	/	K=02; K=06 K=08; K=32	K=02; K=06 K=08; K=32	K=01; K=05 K=07; K=31	/	/

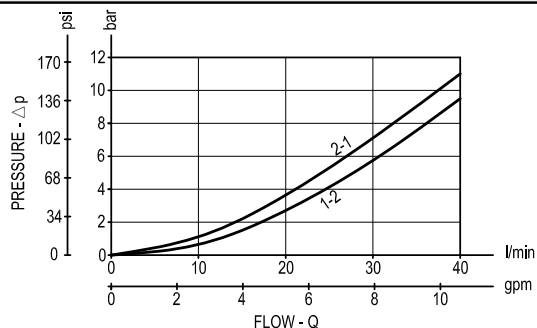
Sitzventil komplett (231022) Soupape à siège complet

Characteristic curves

All Versions - Admissible supply voltage Vs. Ambient temperature at 100% duty cycle



All Versions

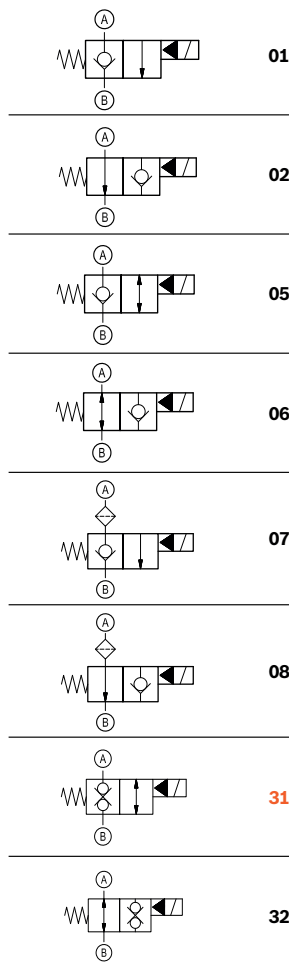


Sitzventil komplett (231022) Soupape à siège complet

Ordering code

OS.15	K	18	X	Y	Z	W
-------	---	----	---	---	---	---

Solenoid operated valves
2-way 2-positions
Common cavity size 08
Cartridge style in manifold



Manifold material

00	Aluminium
S0	Steel

Manifold port sizes

09	G 1/4
02	G 3/8
11	M 14x1.5

Cartridge seals and accessories options

- 0** = With buna seal
- V** = With Viton seal
- P** = With buna seal and protective cap for override version **B, C** and **D**
- T** = With Viton seal and protective cap for override version **B, C** and **D**

Cartridge options

- A** = Standard
- B** = Push style manual override
- C** = Push and twist style manual override
- D** = Knob style manual override
- E** = Pull style manual override
- F** = Hand operated pull style manual override

Common cavity size 08

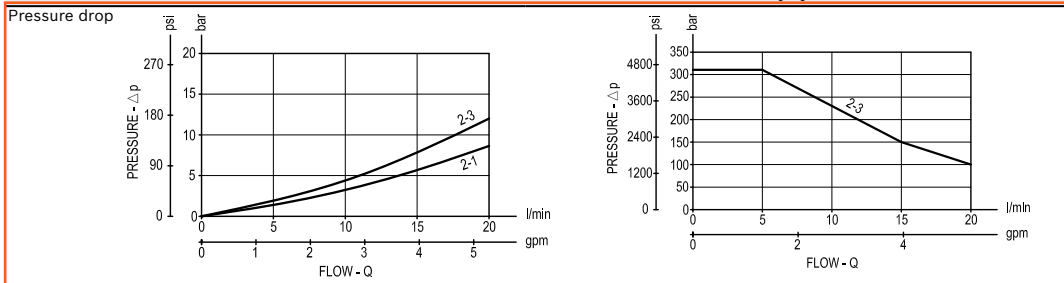
Note: for solutions availability (K-X-Y combinations), please refer to TAB.1 on page 2.

Sitzventil komplett (231021) Soupape à siège complet

Characteristic curves

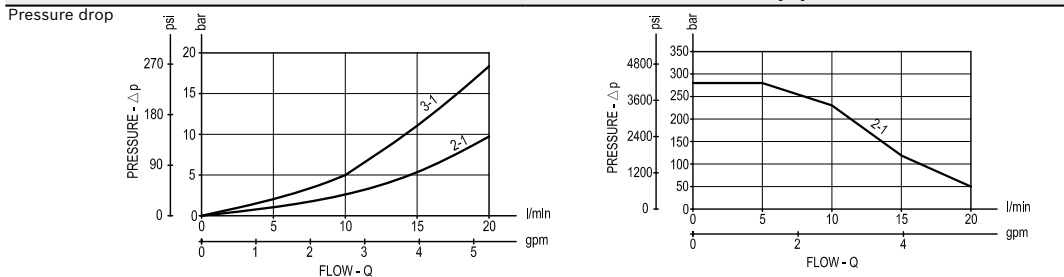
Version 10

Performance limits at 100% duty cycle with 90°C and 60°C amb. T



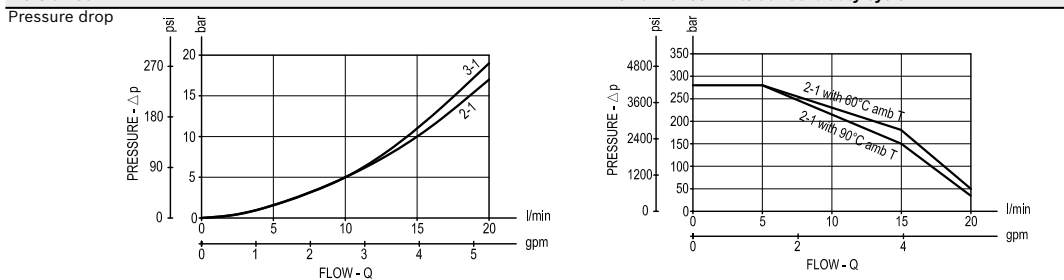
Version 20

Performance limits at 100% duty cycle with 90°C and 60°C amb. T



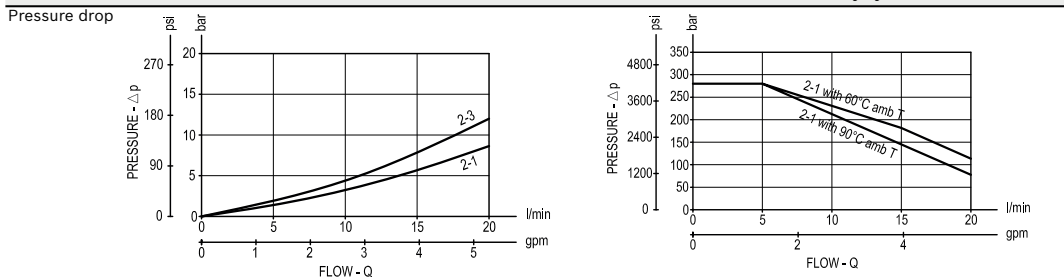
Version 30

Performance limits at 100% duty cycle



Version 11

Performance limits at 100% duty cycle

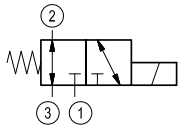
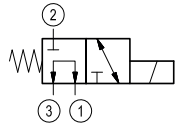
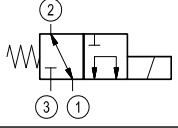
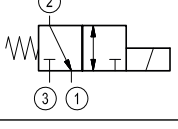


Minimum switching voltage for all versions at 100% ED	
Amb. T	Voltage required
60°C	-10% of V nominal
90°C	V nominal

Note: in case of need of performance limits at specific different working conditions, please consult factory.

Sitzventil komplett (231021) Soupape à siège complet

Ordering code

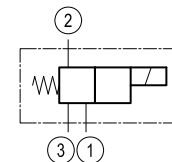
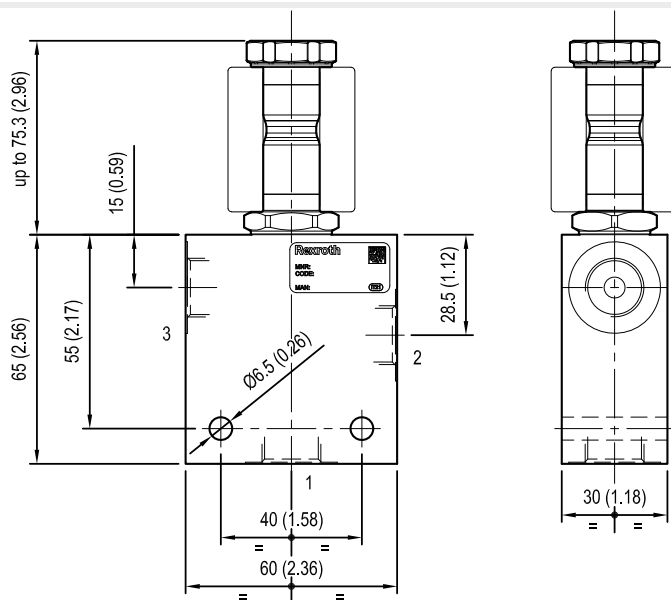
OS.13	K	51	X	Y	Z	W				
<p>Solenoid operated valves 3-way 2-positions Common cavity size 08 Cartridge style in manifold</p>										
<p>Manifold material</p> <table border="1"> <tr> <td>00</td> <td>Aluminium</td> </tr> <tr> <td>S0</td> <td>Steel</td> </tr> </table>							00	Aluminium	S0	Steel
00	Aluminium									
S0	Steel									
<p>Manifold port sizes</p> <table border="1"> <tr> <td>09</td> <td>G 1/4</td> </tr> <tr> <td>02</td> <td>G 3/8</td> </tr> </table>							09	G 1/4	02	G 3/8
09	G 1/4									
02	G 3/8									
<p>Cartridge seals and accessories options</p> <p>0 = With buna seal V = With Viton seal</p>										
<p>Cartridge options</p> <p>A = Standard D = Knob style manual override</p>										
<p>Common cavity size 08</p>										
	10									
	20									
	30									
	11									

Sitzventil komplett (231021) Soupape à siège complet

VEI-CS-16-08A-32

OS.13 - K - 51 - X - Y - Z - W

RE 18331-67



[mm (inches)]

Technical data

Max. flow	20 l/min (5 gpm)*
Max. operating pressure for steel body	280 bar (4060 psi)
Max operating pressure for aluminium body	210 bar (3000 psi)
Ambient temperature range	-30 to 90 °C (-22 to 194 °F)
Fluids: Mineral-based or synthetics with lubricating properties at viscosities of 20 to 380 mm ² /s (cSt)	
MTTFd	150 years see RE 18350-51
To order manifold only, see data sheet RE 18325-85	
Other technical data	See data sheet 18350-50

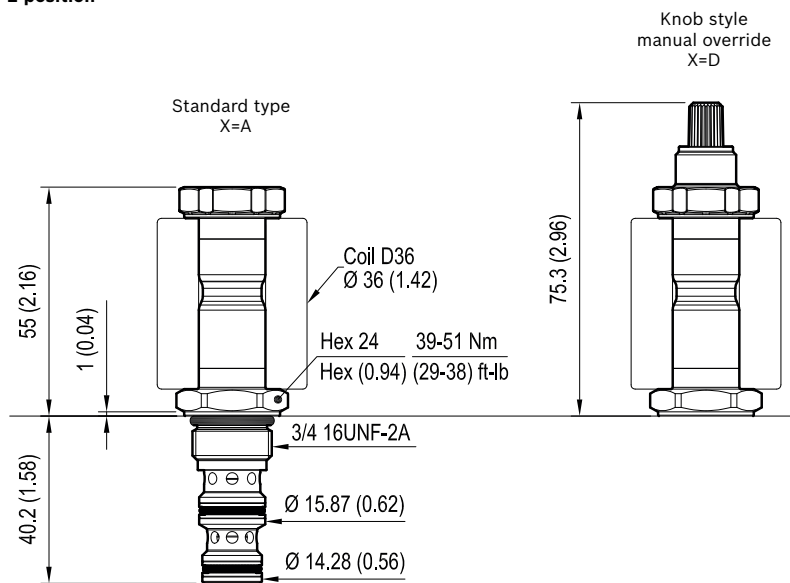
* see performance graph on page 3

Cartridge schemes (K)

monidirectional type	bidirectional type
	10
	11
	20
	30

Sitzventil komplett (231021) Soupape à siège complet

Solenoid operated valves, direct acting
spool type 3-way 2-position



Cartridge technical data

General	
Installation orientation	Unrestricted
Ambient temperature range	-30 to 90 °C (-22 to 194 °F)
Hydraulic	
Max. operating pressure	280 bar (4060 psi)
Flow range	up to 20 l/min (5 gpm)
Max. internal leakage	40 cm ³ /min. (2.4 cu.in./min.)
Fluid temperature range	-20 to 80 °C (-4 to 176 °F)
Fluids: Mineral-based or synthetics with lubricating properties at viscosities of 20 to 380 mm ² /s (cSt)	
Installation torque	39 - 51 Nm (29 - 38 ft-lbs)
Recommended degree of fluid contamination	Nominal value max. 10 µm (NAS 8) ISO 4406 19/17/14
MTTFd	150 years see RE 18350-51
Cavity	CA-08A-3N see data sheet 18325-70
Other technical data	See data sheet 18350-50

Electrical	
Type of voltage	DC voltage
Coil type	D36
Supply voltage	See data sheet 18325-90
Admitted voltage tolerance:	-10%/+15% of nominal voltage at 60°C amb. T
Power consumption	20 W
Type of protection	See data sheet 18325-90
Note: Coils must be ordered separately	