

Druckfolgeventil VSQ Soupape de séquence VSQ

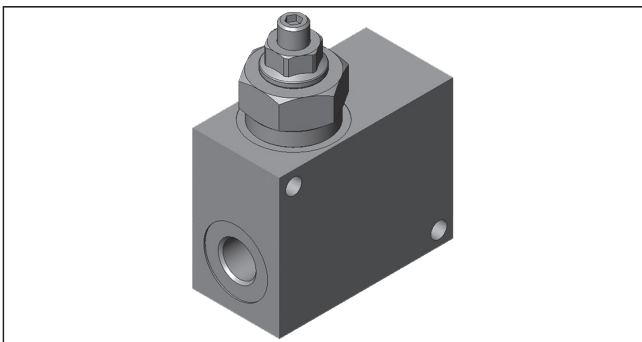
VSQ-10

05.21.06 - X - Y - Z

RE 18309-84

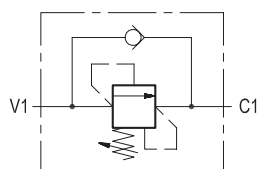
Edition: 02.2019

Replaces: 03.2016



Description

Initially, the flow goes to a side line connected to V1, not shown here, and energizes a first actuator until pressure increases to meet the selected valve setting; then flow opens the relief cartridge and passes from V1 to C1 energizing the second actuator connected to C1. Note that pressure at C1, i.e. the pressure needed to operate the second actuator, is additive to the relief setting of the valve. The check valve allows reverse flow, from C1 to V1.

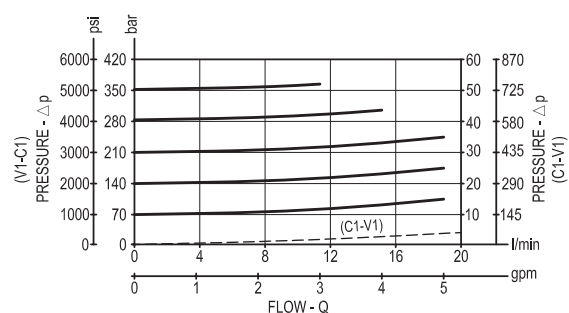


Technical data

Operating pressure	up to 210 bar (3000 psi)
Max. flow	10 l/min. (3 gpm)
Pressure drop curves are shown with zero back pressure on "C1" port. This valve is successfully employed to energize a secondary actuator which only requires low pressure and low flow (for example: a sliding safety bolt).	
Weight	0.3 kg (0.66 lbs)
Manifold material	Aluminium
Note: aluminium bodies are often strong enough for operating pressures exceeding 210 bar (3000 psi), depending from the fatigue life expected in the specific application. If in doubt, consult our Service Network.	
Fluid	Mineral oil (HL, HLP) according DIN 51524
Fluid temperature range	-30 °C to 100 (-22 to 212 °F)
Viscosity range	10 to 500 mm ² /s (cSt)
Recommended degree of fluid contamination	Class 19/17/14 according to ISO 4406 (NAS 8)
Other technical data	see data sheet 18350-50

Note: for applications outside these parameters, please consult us.

Characteristic curve



Druckfolgeventil VSQ Soupape de séquence VSQ

2 VSQ-10 | Sequence

Dimensions [mm (inches)]

Ordering code

05.21.06	X	Y	Z
----------	---	---	---

Sequence
direct acting poppet type

Adjustments

03 Leakproof hex. socket screw



	SPRINGS		
	Adj. pressure range bar (psi)	Pres. increase bar/turn (psi/turn)	Std. setting Q=5 (l/min) bar (psi)
10	35-140 (500-2000)	50 (725)	100 (1450)
20	105-210 (1500-3000)	79 (1145)	200 (2900)

Port sizes	V1	C1	
09	G 1/4	G 1/4	

Tamper resistant cap
ordering code 11.04.23.003
Mat. no. R930000754



Preferred types

Type	Material number
05210603091000A	R930001413
05210603092000B	R930001416

Type	Material number

Dimensions

