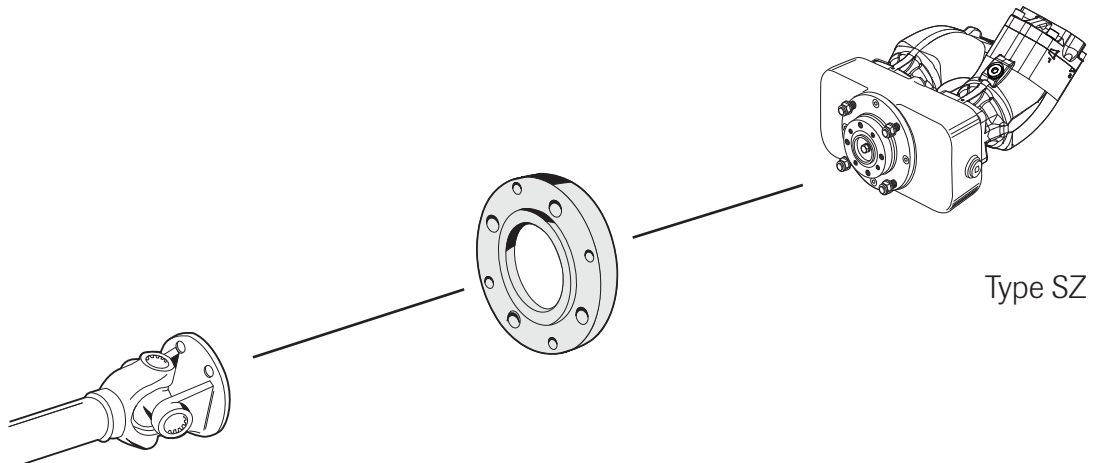
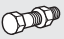


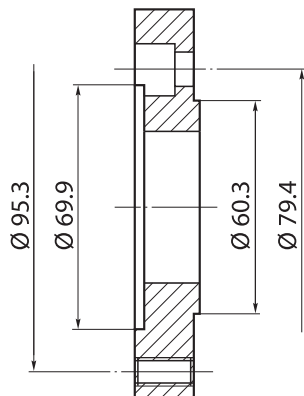


Adapter-Flansche für Verteilergetriebe

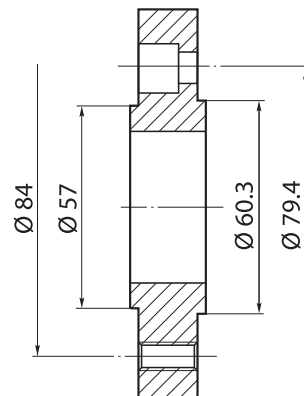


Type SZ

Spicer 1400 (B3)	17876 	SZ 118, 154 (B2)  Pump 9
DIN 6-bolt Ø100 DIN 6-Loch DIN 6-håls	17638 	

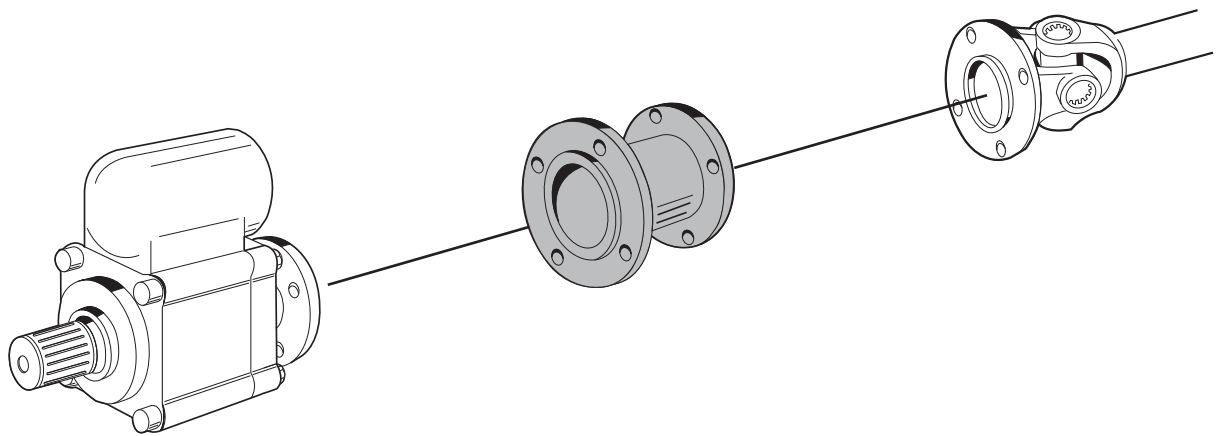


17876




17638

Adapter-Flansche

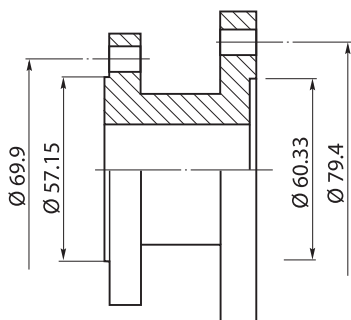


Spicer 1100 (B1)

14064 

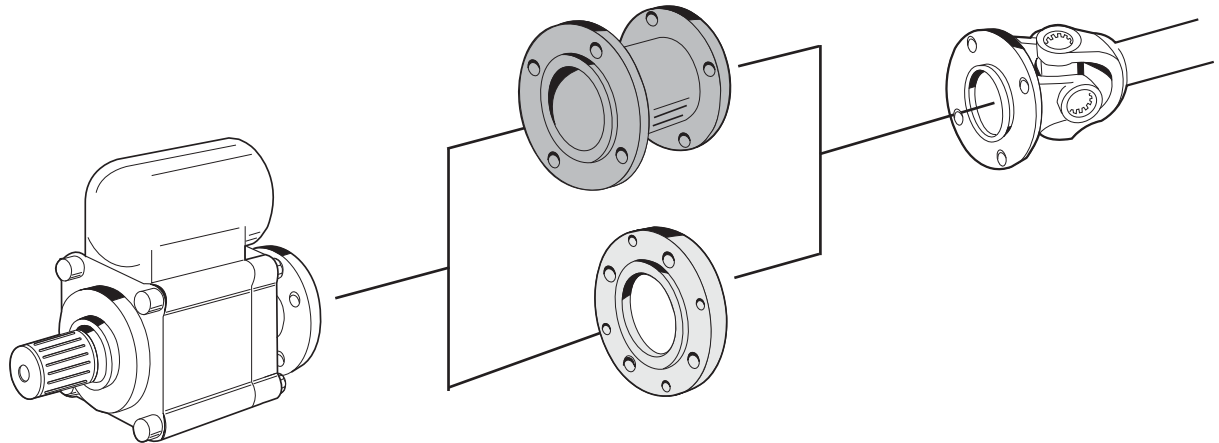
Spicer 1300 (B2)

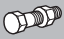

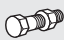


 Pump 12

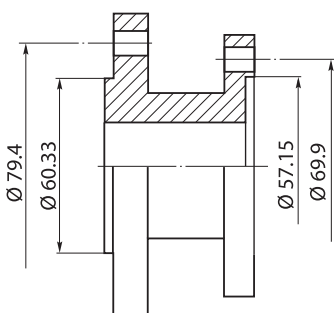


14064

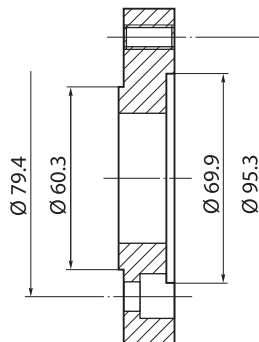
Adapter-Flansche



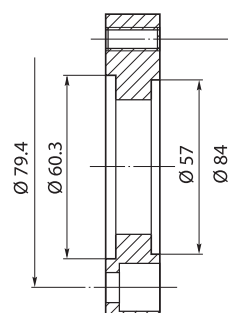
Spicer 1300 (B2)	17355		Spicer 1100 (B1)	Pump 12 
	17876		Spicer 1400 (B3)	
	18236		DIN 100, 6-bolt DIN 100, 6-Loch DIN 100, 6-håls	
	13631		DIN 120, 8-bolt DIN 120, 8-Loch DIN 120, 8-håls	



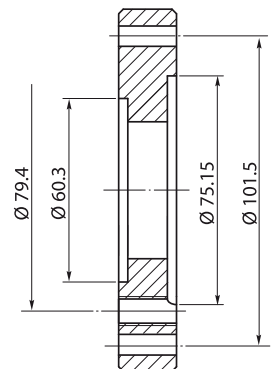
17355



17876

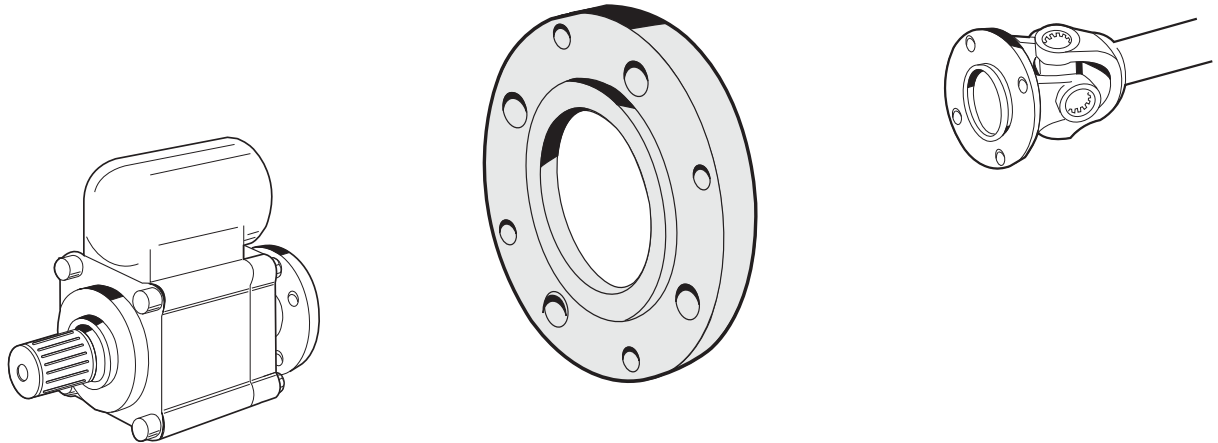



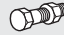

18236

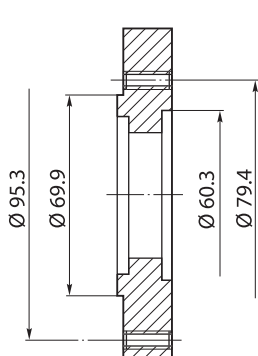


13631

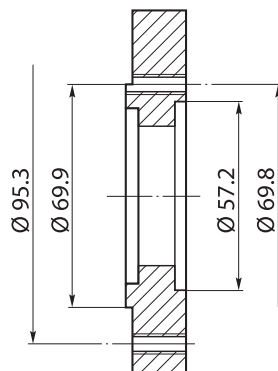
Adapter-Flansche



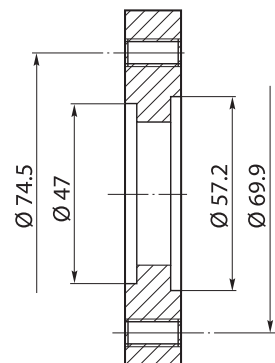
Spicer 1400 (B3)	13740 	Spicer 1300 (B2)	Pump 12
	11656 	Spicer 1100 (B1)	
DIN 4-bolt $\varnothing 90$ DIN 4/6-Loch DIN 4/6-håls	11915 		



13740

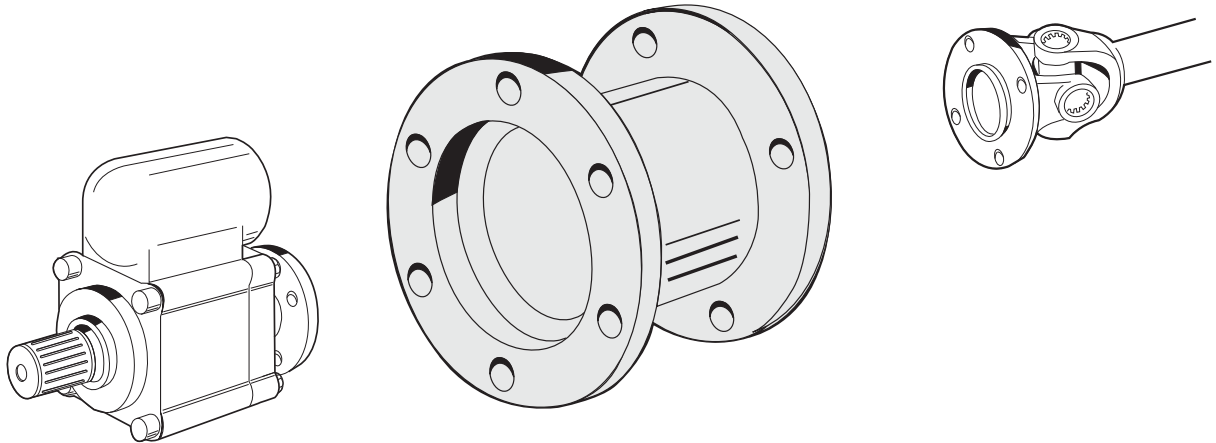


11656

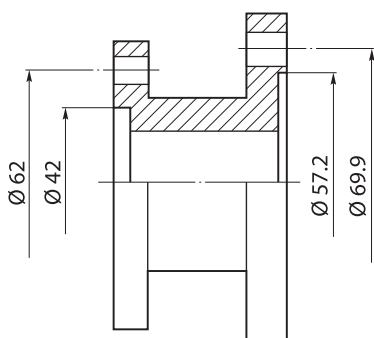


11915

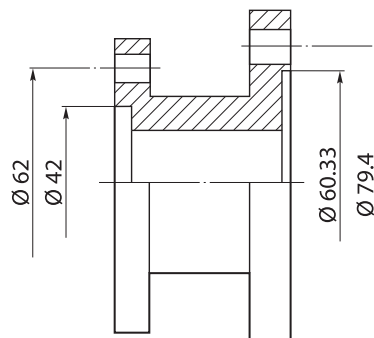
Adapter-Flansche



6 bolt DIN 6 Loch Ø 75 6 håls	14063	Spicer 1100 (B1)	Pump 12
	14062	Spicer 1300 (B2)	

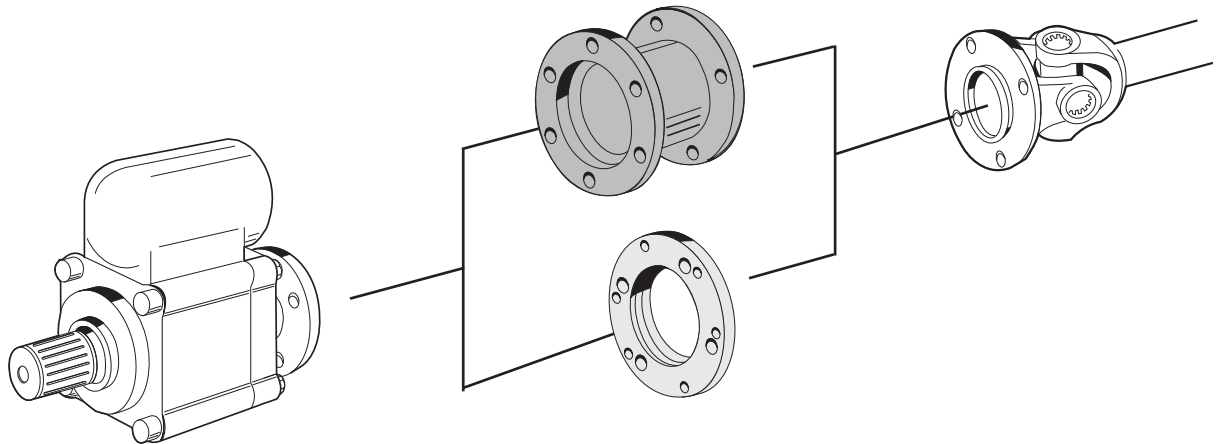


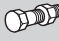


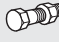
14063

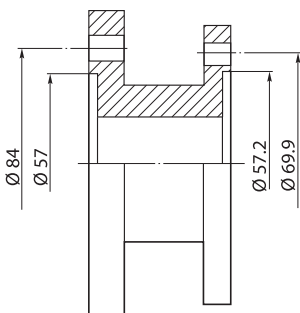


14062

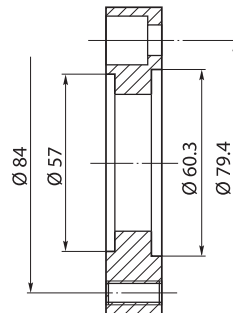
Adapter-Flansche



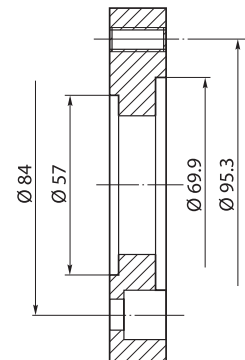
6 bolt DIN 6 Loch $\varnothing 100$ 6 håls	18287 	Spicer 1100 (B1)	 Pump 12
	18236 	Spicer 1300 (B2)	
	18020 	Spicer 1400 (B3)	



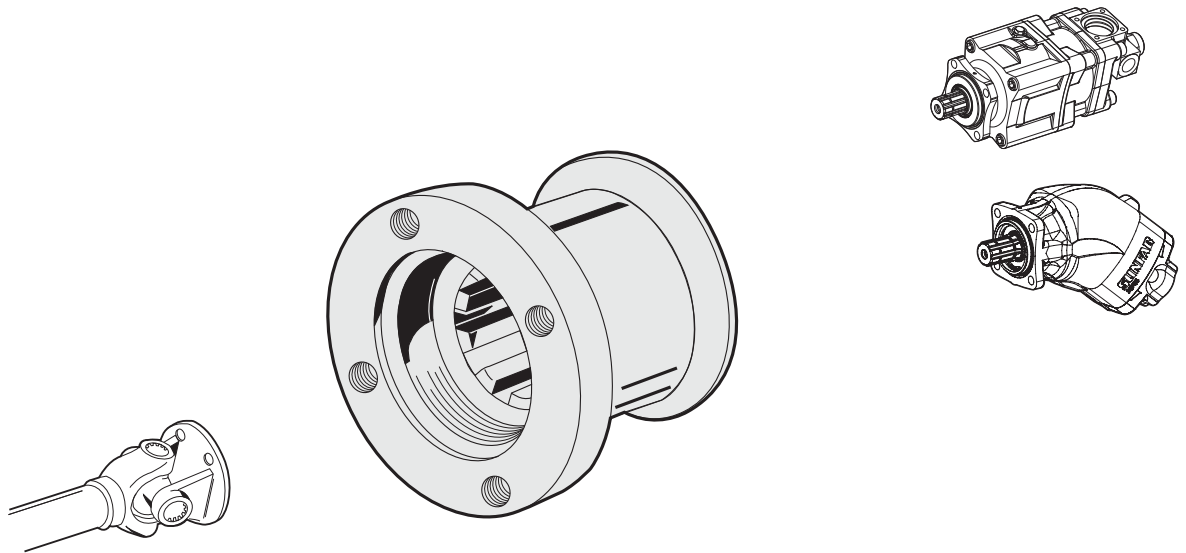
18287



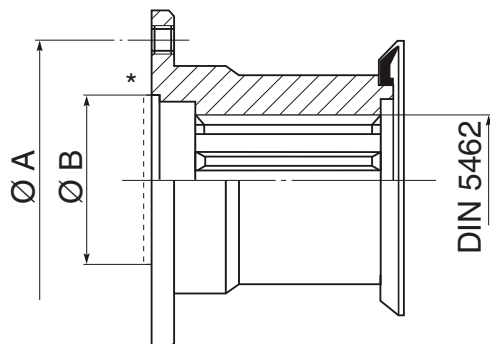
18236



18020



Pump 12	Spicer 1100 (B1)	16643		All pumps Alle Pumpen
	Spicer 1300 (B2)	17335		
	Spicer 1400 (B3)	18150		
DIN 4-bolt DIN 4-Loch DIN 4-håls	17010			



	A mm	B mm
16643	69.9	57.2
17335	79.4	60.3
18150	95.3	69.9
17010	74.5	47.0*

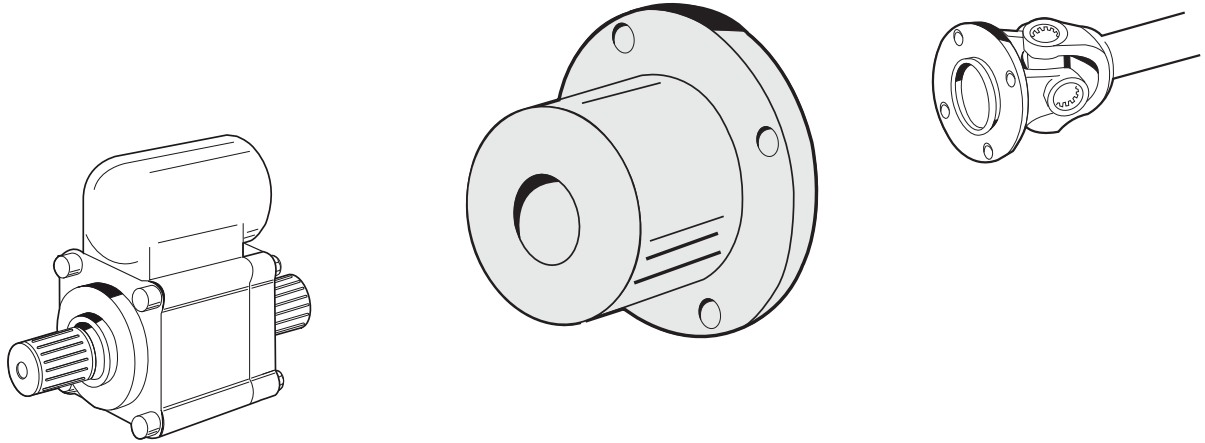
* External guide






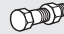
* Äußere Führung

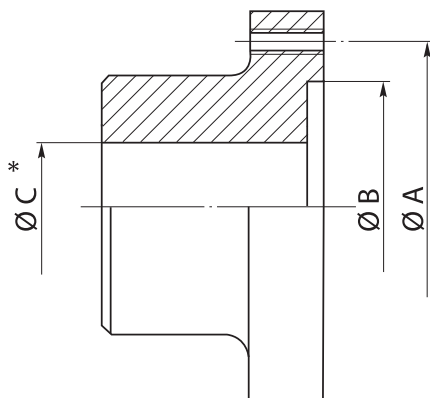
Note: The drive flanges are supplied complete with bolts, washers and dust excluder.

Bemerkung: Schrauben, Scheiben und Staubschutz sind im Lieferumfang enthalten.

Neutrale Mitnehmerflansche



Shaft Welle Axel	10325 	Spicer 1100 (B1)		 Pump 12	
	15362 	Spicer 1300 (B2)			
	16670 	Spicer 1400 (B3)			
	17764 	DIN 4-bolt	DIN 4-Loch DIN 4-håls		
	17765 	DIN 6-bolt	Ø 100 DIN 6-Loch DIN 6-håls		

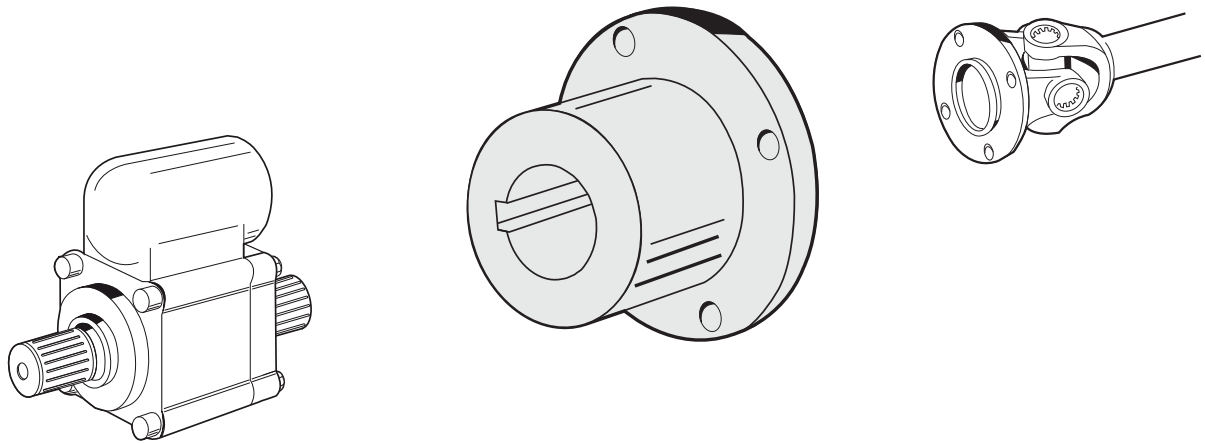


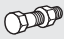

	A mm	B mm	C mm
10325	69.9	57.2	18*
15362	79.4	60.3	20*
16670	95.3	69.9	20*
17764	74.5	47.0	18*
17765	84.0	57.0	20*

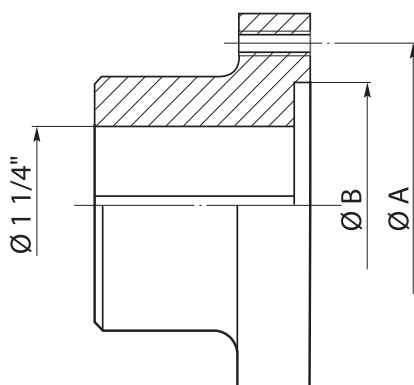
* To be finished

* Auf Fertigmaß bearbeiten

Mitnehmerflansche 1 1/4"

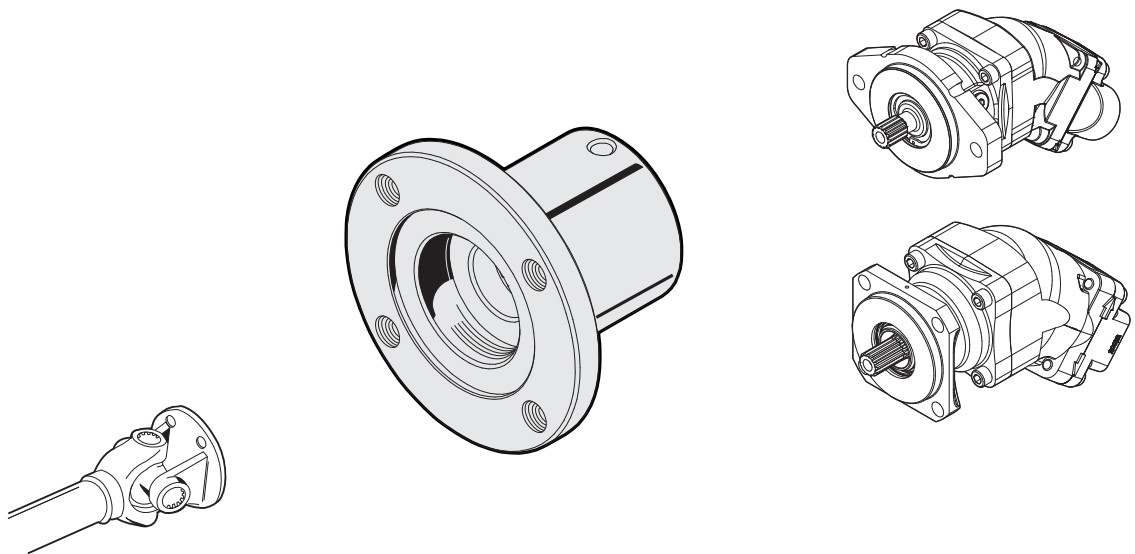


SAE standard SAE-Norm	16541 	Spicer 1100 (B1)	Pump 12
	16639 	Spicer 1300 (B2)	




	A mm	B mm
16541	69.9	57.2
16639	79.4	60.3

Keilwellen-Mitnehmerflansche SAE-B

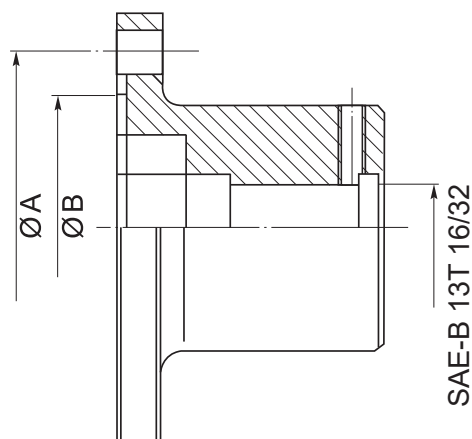


Pump 12

Spicer 1300 (B2)

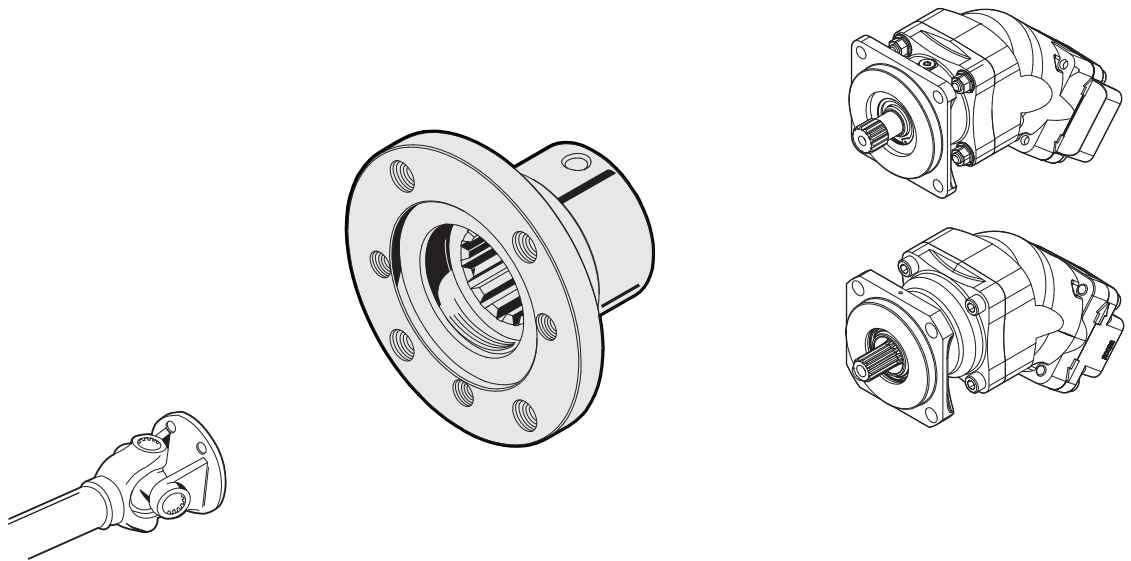
61154 




SAE-B 13T 16/32

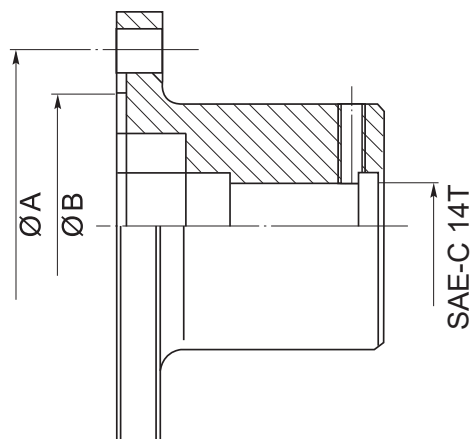


	A mm	B mm
61154	79.4	60.3

Keilwellen-Mitnehmerflansche SAE-C

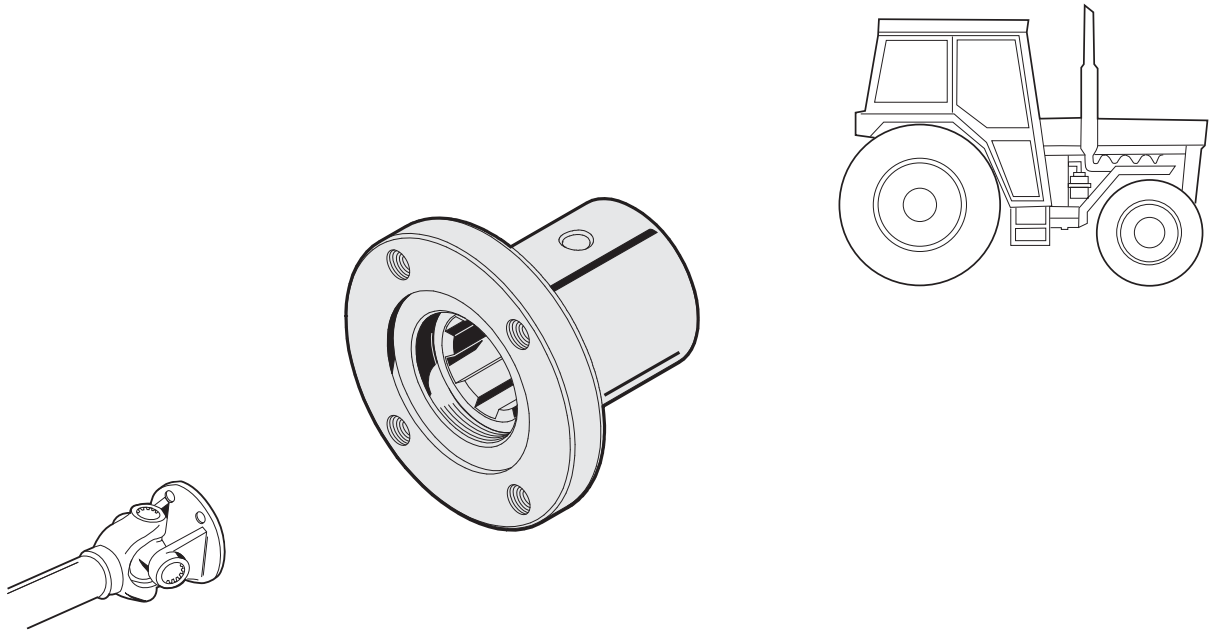


 Pump 12	Spicer 1100 (B1)	61054 	SAE-C 14T 12/24
	Spicer 1300 (B2)	61054 	




	A mm	B mm
61054 (1100)	69.9	57.2
61054 (1300)	79.4	60.3

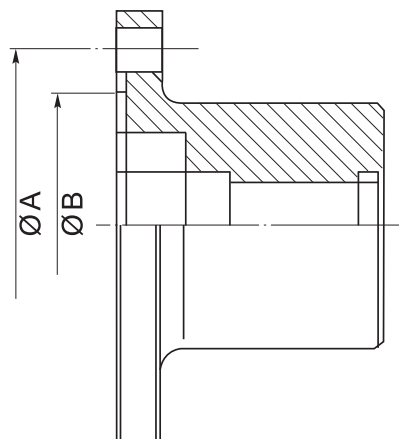
Keilwellen-Mitnehmerflansche 6-SP / 1 3/8"



 Pump 12 SAE 1300

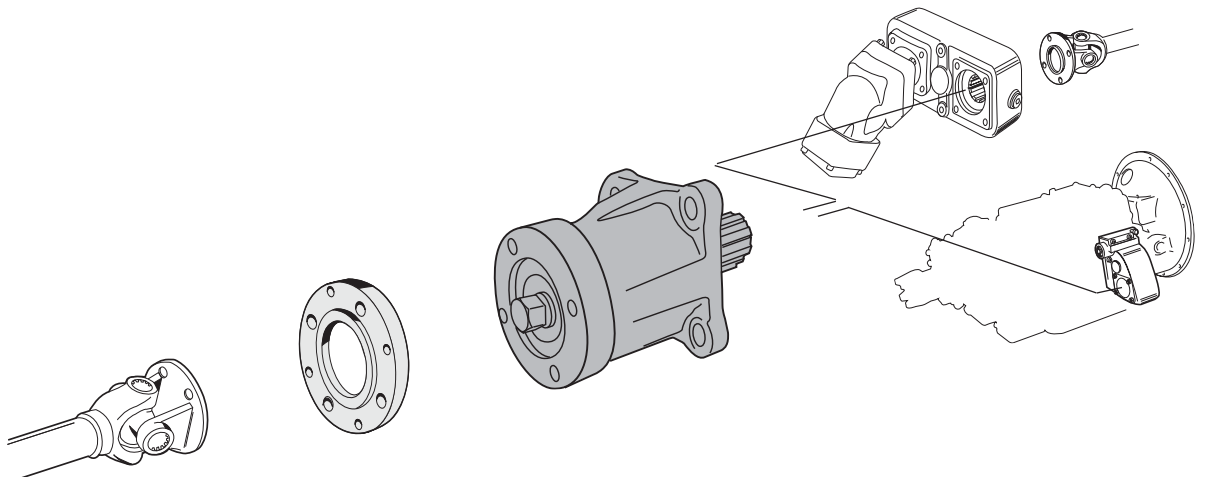
61050 



1300-6 - SP/1 3/8"

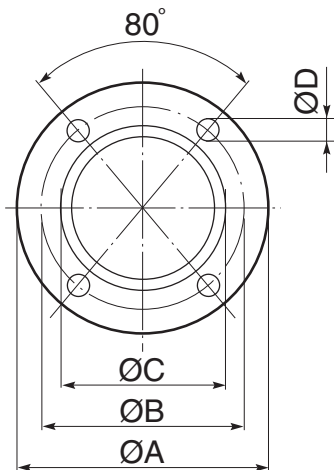


	A mm	B mm
61050	79.35	60.35

Antriebsflansch & Adapter für DIN-Nebenantriebe



Pump 12	Spicer 1100 (B1)	–	61040	DIN 5462 (ZF)
	Spicer 1300 (B2)	–	61015	
	Spicer 1400 (B3)	–	61017	
DIN 4-bolt DIN 4-Loch	DIN 4-håls	11915 	61040	
DIN 6-bolt DIN 6-Loch	∅100 DIN 6-håls	18236 	61015	



	A	B	C	D
	mm	mm	mm	mm
Spicer 1100 (B1)	88	69.9	57.2	8.5
Spicer 1300 (B2)	97	79.4	60.3	10.5
Spicer 1400 (B3)	115	95.3	69.9	10.5

Torque / Leistung / Moment *

Spicer 1100 (B1)	250 Nm
Spicer 1300 (B2)	500 Nm
Spicer 1400 (B3)	900 Nm

* Driveshaft / Swischenwelle