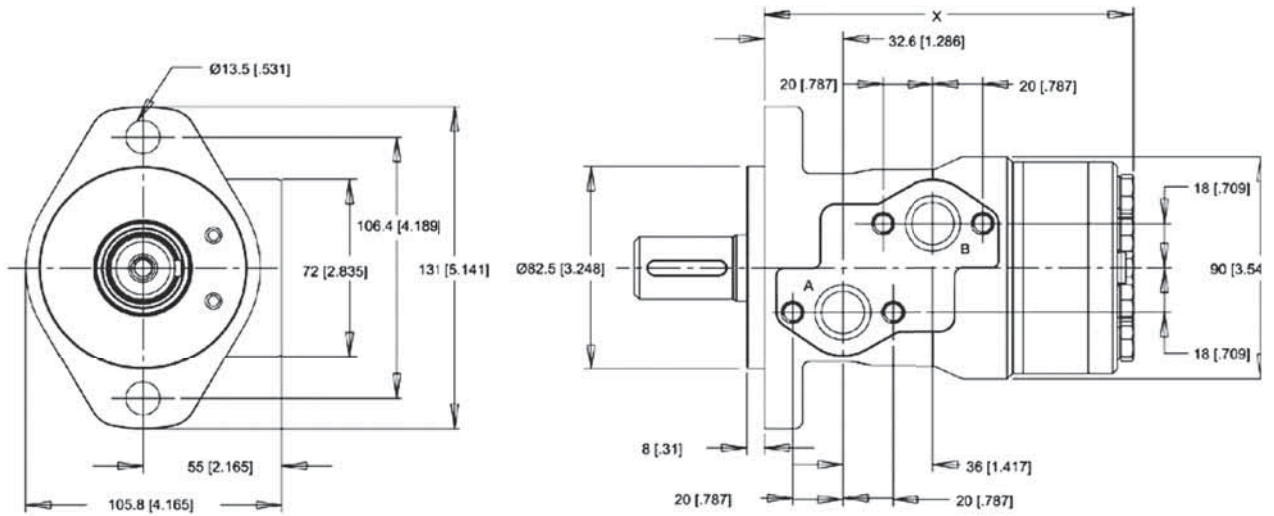
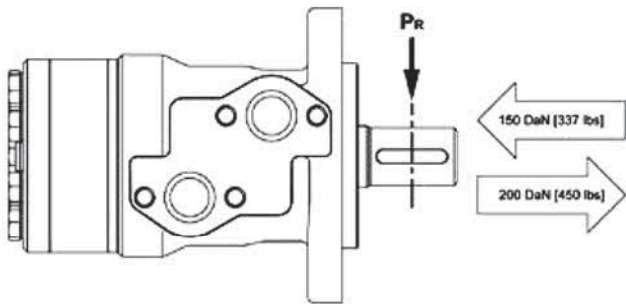
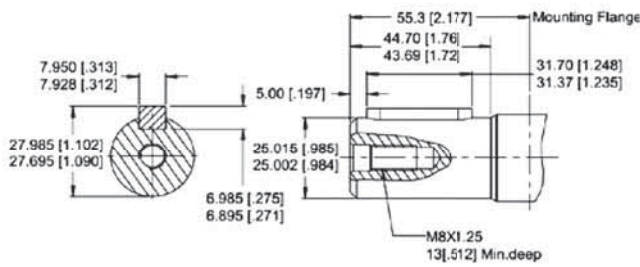


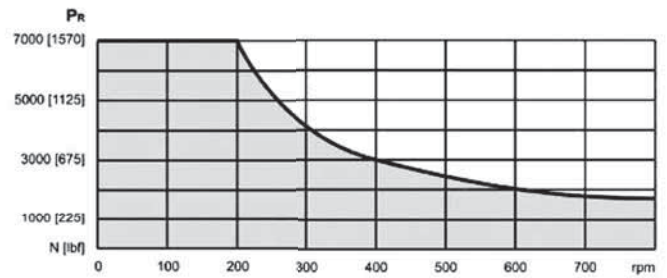
Orbitalmotoren KR



25mm

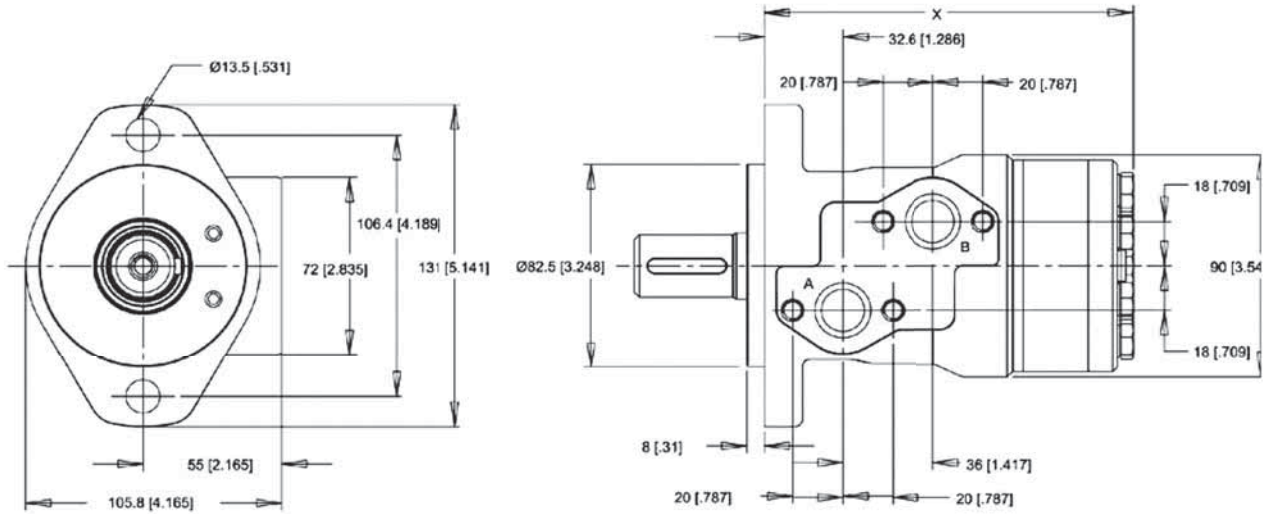


PERMISSIBLE SHAFT SIDE LOAD / AXIAL LOAD

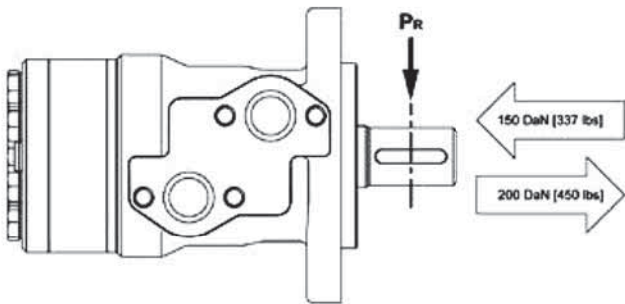
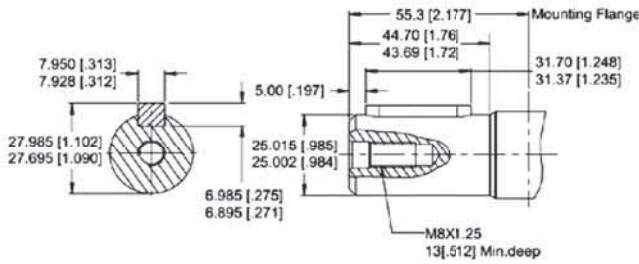


Art.	Model	Max speed	Displacement	Length mm	Continuous torque	Intermittent torque	Continuous KW	Intermittent KW	Flow/Capacity	Pressure max (bar)
	KR40	1116	40	138	93	123	11	14.6	45	155
	KR50	898	51	140	113	153	10.8	14.6	45	155
220228	KR80	765	80	145	196	238	15.9	19.3	61	172
	KR100	610	100	150	246	289	15.9	18.7	61	172
220230	KR125	472	129	156	316	375	15.9	18.8	61	172
220229	KR160	379	160	162	400	454	16.1	18.3	61	172
220231	KR200	308	198	169	462	544	15.1	17.8	61	172
220232	KR250	244	248	180	562	676	14.5	17.5	61	172
	KR315	188	322	194	526	664	10.5	13.3	61	138
220233	KR400	152	400	209	551	698	8.9	14.1	61	104

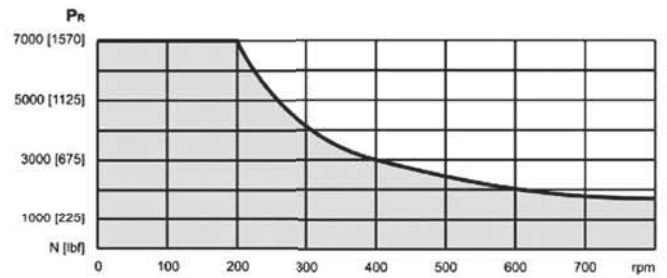
Moteurs Orbitale KR



25mm



PERMISSIBLE SHAFT SIDE LOAD / AXIAL LOAD



Art.	Model	Max speed	Displacement	Lenght mm	Continuos torque	Intermittent torque	Continuos KW	Intermittent KW	Flow/ Capacity	Pression max (bar)
	KR40	1116	40	138	93	123	11	14.6	45	155
	KR50	898	51	140	113	153	10.8	14.6	45	155
220228	KR80	765	80	145	196	238	15.9	19.3	61	172
	KR100	610	100	150	246	289	15.9	18.7	61	172
220230	KR125	472	129	156	316	375	15.9	18.8	61	172
220229	KR160	379	160	162	400	454	16.1	18.3	61	172
220231	KR200	308	198	169	462	544	15.1	17.8	61	172
220232	KR250	244	248	180	562	676	14.5	17.5	61	172
	KR315	188	322	194	526	664	10.5	13.3	61	138
220233	KR400	152	400	209	551	698	8.9	14.1	61	104